

Model 2047 Single Lever Control Head



Kobelt Manufacturing recently developed this control head as a smaller version of the 2048 and it incorporates all of the same features. The throttle travel is 2 3/8" and the maximum clutch travel is 3".

This unit is constructed entirely of bronze and stainless steel and offers a five year warranty. It can be used in either push or pull mode for the clutch or throttle. A roller type detent is incorporated into the 2047 as well as an independent throttle override.

The rugged construction of this model puts it in the top of its class. When comparing the value of this control with that of any other single lever control on the market, it is difficult to conceive why boaters would choose to purchase a cheaper substitute.

The 2047 will outlast most other products in the marketplace by a minimum of 2:1. This places our product among the most price effective and reliable controls of its kind.

Ordering Information

Model Designations:

K	With chromed cover and handles.	M	With black epoxy painted cover and chromed handles.
L	With brass finish cover and handles.	Z	With metal labels.

The standard model 2047 control head is supplied as follows:

1. With chromed cover and "U" handles (as shown).

To order, state Model Number followed by the desired Model Designation letter codes:

Example

A model 2047 control head chromes would be **2047-KU**.

Note

Cable connector kits are ordered separately. Each push pull cable end attached to the control head requires one kit.

Ordering Numbers

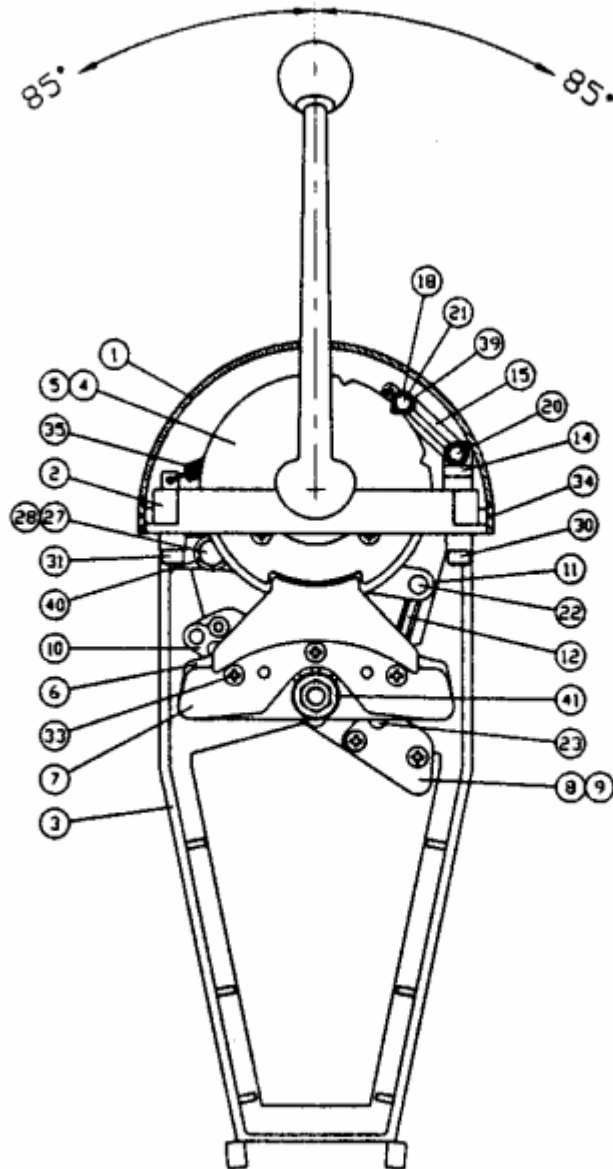
- 2047-0901T Kit for Throttle (30 series cable)
- 2047-0902T Kit for Throttle (40 series cable)
- 2047-0901C Kit to Clutch (30 series cable)
- 2047-0902C Kit for Clutch (40 series cable)
- 2047-0903 Neutral Safety Switch Kit (40 series cable)

Important

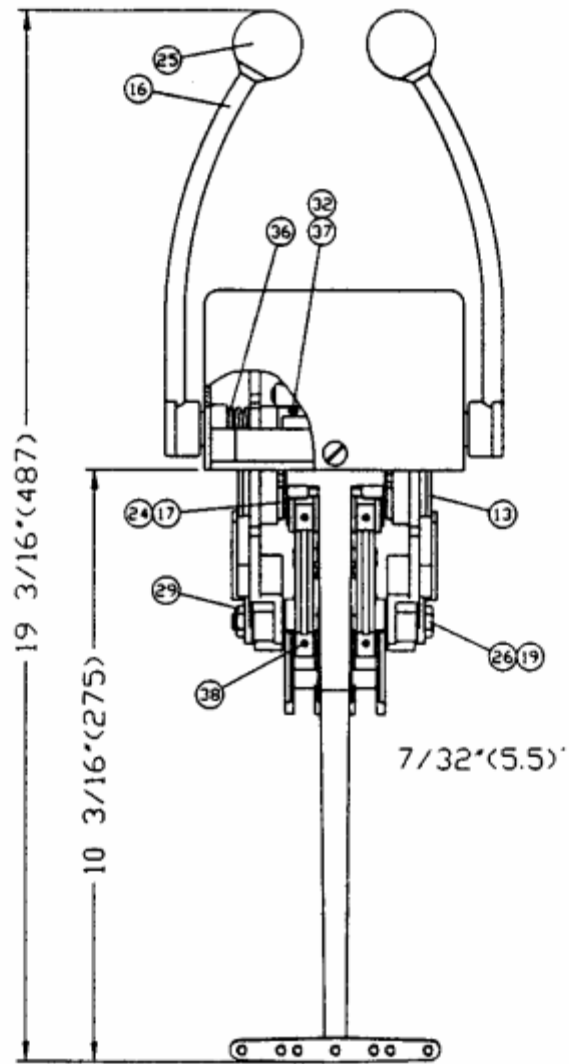
Model 2047 is designed to work as a single station unit only. If two stations are to be interconnected, use model 2092.

Dimensions and Parts

Side View



Front View



ALL DIMENSIONS IN INCHES (MM)

ITEM	QUANTITY	PART NUMBER	DESCRIPTION
1	1	2047-0001	Dome
2	1	2047-0002	Frame
3	1	2047-0003	Support
4	1	2047-0004L	Centre Cam
5	1*	2047-0004R	Centre Cam
6	2	2047-0005	Pivot Plate
7	2	2047-0006	Retainer
8	1	2047-0007L	End Plate
9	1*	2047-007R	End Plate
10	2	2047-0008	Throttle Cam
11	2	2047-0009	Throttle Arm
12	2	2047-0010	Link
13	2	2047-0011	Cam Retainer
14	1	2047-0012	Pillow Block
15	2	2047-0013	Detent Arm
16	2	2047-0014	Handle
17	2	2046-0027	Throttle Roller
18	4	2047-0015	Bushing
19	2*	2047-0016	Bearing
20	1	2047-0017	Snap Ring Pin
21	2	2047-0028	Snap Ring Pin
22	2	2047-0019	Solid Pin
23	2	2047-0020	Solid Pin
24	2*	2046-0023	Solid Pin
25	2	2030-0011	Knob
26	1	1001-1156	Hex Bolt
27	1	1001-1032	Hex Bolt
28	1*	1022-0210	Hex Nut
29	1	1022-0311	Hex Nut
30	2	1002-1020	Hex Socket Head Cap Screw
31	2	1002-1010	Hex Socket Head Cap Screw
32	2*	1016-0804	Hex Socket Set Screw
33	14	1009-0808	Flat Head Philip Machine Screw
34	2	1005-0808	Oval Head Slotted Machine Screw
35	2	1202-0002	Spring
36	2	1201-0204	Spring
37	2	1024-0816	Spring Pin
38	6	1024-0508	Spring Pin
39	6	1029-1025	Snap Ring
40	4	1023-0210	Washer
41	2	1023-0237	Washer

* Quantity may vary.

2047 "Cut-Out" Dimensions

