

**Model 2042 Heavy Duty,
Side Mount Single Lever Control**



This unit is constructed entirely in bronze and stainless steel and is intended for the discriminating boat owner who is looking for durability and performance. It incorporates all of the features that make for good boating. The control handle has a very large arc of rotation to give good feel over both clutch and throttle. A clutch override button is provided to allow acceleration of the engine without engaging the gear. microswitches can be ordered.

This unit is extremely compact and is available in several versions. The standard finish would be a chrome plated handle and front housing.

Ordering Information

Model Designations:

H	With one neutral safety switch	L	With polished brass finish cover and handle.
K	With chrome finish cover and handle	M	With black epoxy finish cover and chrome handle.

Note

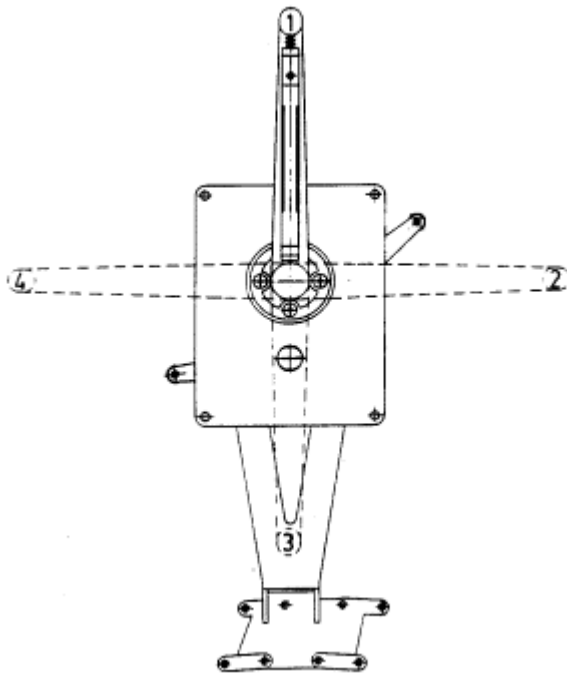
One cable connection kit for clutch and one cable connection kit for throttle must be ordered separately.

Ordering Numbers

2044-0901 (30 series cable)

2044-0902 (40 series cable)

2044-0903 Neutral Safety Kit



This control can be **ordered** (can not be changed in the field) with the neutral position of the handle in any one of the four positions indicated. Position "1" is standard. Please add appropriate number.

Materials

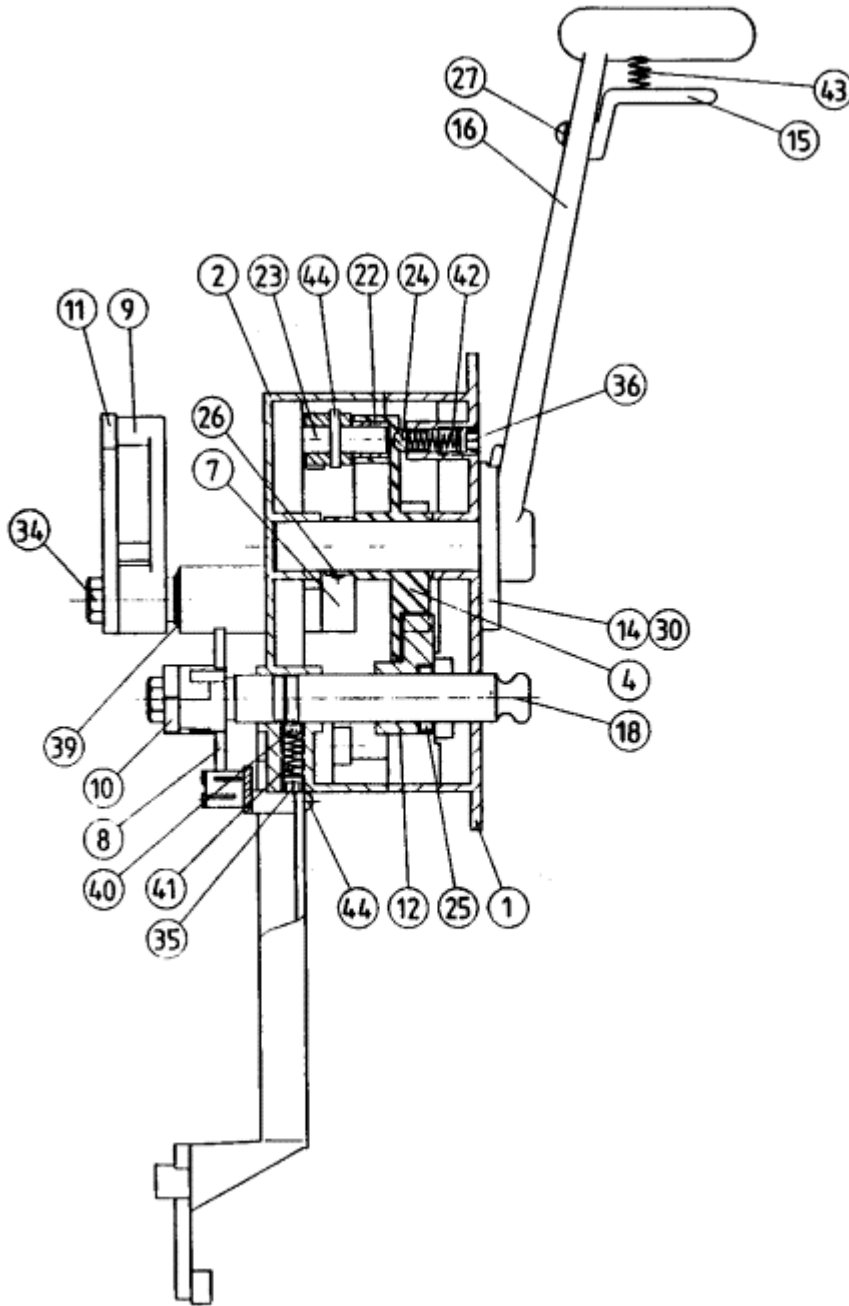
Die cast silicon bronze with stainless steel hardware.

Weight

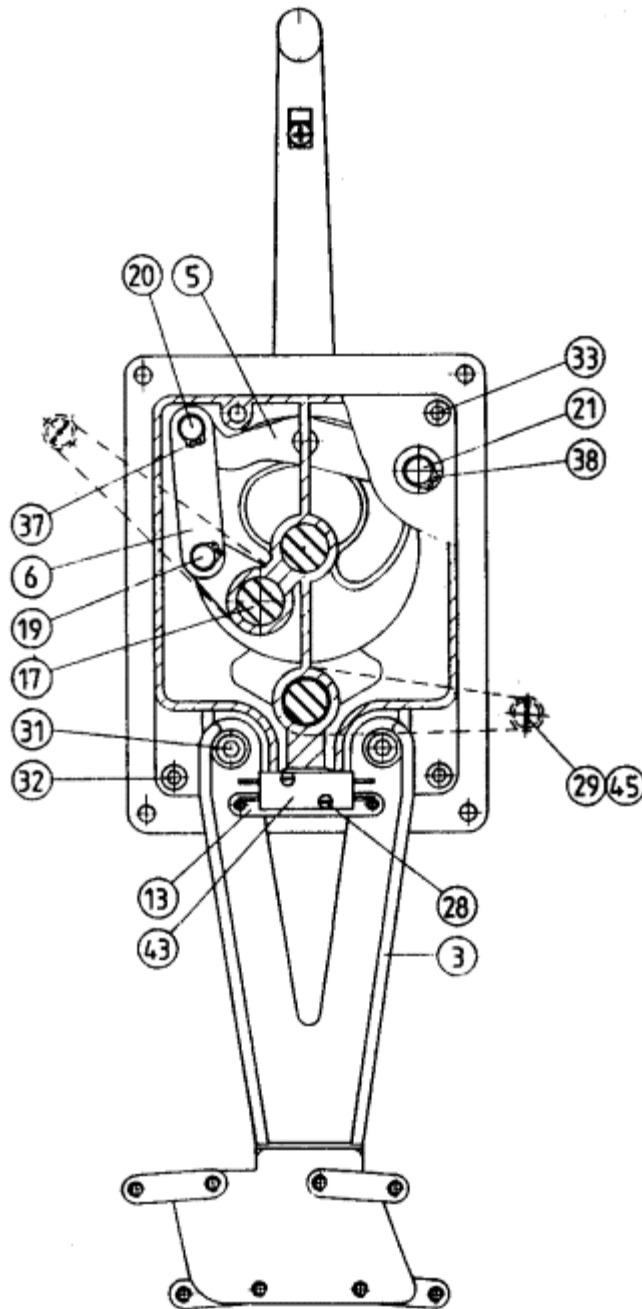
9 lbs. (4 Kg)

Dimensions and Parts

Back View



Side View



Model 2042 Heavy Duty, Side Mount Single Lever Control

ALL DIMENSIONS IN INCHES (MM)

ITEM	QUANTITY	PART NUMBER	DESCRIPTION
1	1	2042-0001	Front Housing
2	1	2042-0002	Back Housing
3	1	2042-0003	Support
4	1	2042-0004	Cam
5	1	2042-0005	Drive Link
6	1	2042-0006	Connecting Link
7	1	2042-0007	Throttle Link
8	1	2042-0008	Clutch Lever
9	1	2042-0009	Throttle Lever
10	1	2042-0010	Clutch Lever Retainer
11	1	2042-0011	Throttle Lever Retainer
12	1	2042-0012	Clutch
13	1	2042-0013	Natural Safety Bracket
14	1	2042-0014	Locking Bracket
15	1	2042-0015	Locking Hatch
1	1	2042-0001	Front Housing
16	1	2042-0016	Handle
17	1	2042-0017	Throttle Shaft
18	1	2042-0018	Clutch Shaft
19	1	2042-0019	Throttle Link Pin
20	1	2042-0020	Connecting Link Pin
21	2	1002-1016	Socket Hd. Screw
22	1	2042-0022	Throttle Roller
23	1	2042-0023	Throttle Roller Pin
24	1	2042-0024	Detent
25	1	1024-0814	Clutch Spring Pin
26	1	1024-0814	Throttle Link Spring Pin
27	1	1010-0806	Round Head Philip M. Screw
28	2	1006-0310	Round Head Slotted M. Screw
29	3	1009-0806	Flat Head Philip M. Screw
30	4	1005-0808	Flat Head M. Screw
31	2	1002-1014	Hex. Socket Head Cap Screw
32	2	1002-0820	Hex. Socket Head Cap Screw
33	2	1002-0832	Hex. Socket Head Cap Screw
34	2	1001-1110	Hex. Head Cap Screw
35	1	1016-1104	Hex. Socket Set Screw
36	1	1016-1204	Hex. Socket Set Screw
37	4	1029-1031	Snap Ring
38	1	1029-1037	Snap Ring
39	1	1029-1062	Snap Ring
40	1	1301-0108	Ball

Model 2042 Heavy Duty, Side Mount Single Lever Control

ITEM	QUANTITY	PART NUMBER	DESCRIPTION
41	1	1201-0001	Spring
42	1	1201-0062	Spring
43	1	6001-0104	Microswitch
44	2	1024-0510	Spring Pin
45	1*	1009-0904	Flat Head Philip M. Screw

* Quantity may vary.

2042 "Cut-Out" Dimensions

