

Watertight Locker Doors / Deck Hatches



LD4002

1 Year Warranty

Watertight seals
Easy inspection
- Models with clear hatch available
Durable
- manufactured from robust materials

Keep storage areas dry with our watertight robust designs – tried, tested and trusted for decades



LD2000



LD3000



LD4000

YOU MAY ALSO LIKE

Twist Deck Shower with integrated temperature and flow controls – Page 68

Supersub Smart – the automatic narrow low profile electric bilge range – page 12

Features and Benefits

Provide Easy Access To Storage Space

Aluminium Models - Suitable For Sandy Environments

TCL2

- Robust aluminium construction with locking lever ideal for harsh marine environments

TCL3

- Robust aluminium ring with durable plastic cover
- Ideal for narrow bulkheads
- Quick release camlock cover allows easy access to storage areas

Polycarbonate Models

TCL 4

- Reliable watertight seal
- TCL 4 Clear - allows easy inspection without having to open the locker



Product Information

Model Specifications

Model	TCL2	TCL3	TCL4	TCL4 Clear
Product Code	LD2000	LD3000	LD4000	LD4002
Diameter	236 mm (9 1/4")	Not Applicable	236 mm (9 1/4")	236 mm (9 1/4")
Aperture	179 mm (7")	143 mm x 82.5 mm (5 5/8" x 1/4")	179 mm (7")	179 mm (7")
Materials	Body: Diecast Aluminium Alloy Seal: Nitrile®		Body: Polycarbonate Locking Ring: Acetal Seal: Nitrile®	

Note: These specifications are retail items only.

For details of our bulk pack range for boat builders and wholesalers - contact Whale Support.

Maximin exterior pressure 0.2 bar

What the customers say

"Your deck hatches did the job perfectly, our deck storage areas stayed perfectly dry..."

Cath Allaway – Extreme Rowing Expedition

Schiffsausrüster

TOPLICHT

Tel.: +49 (0)40 - 8890 100

www.toplicht.de



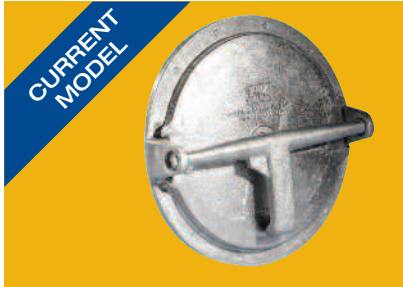
Accessories - Locker Doors

Watertight Locker Doors

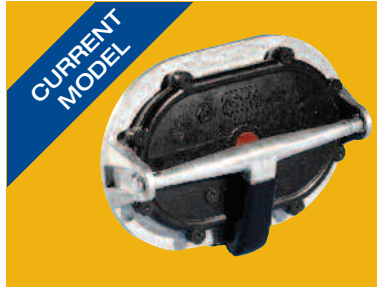
Locker Door LD2000, LD3000, LD4000, Clear Lid Version LD4002

Note* Contained in Service Kit AK4010

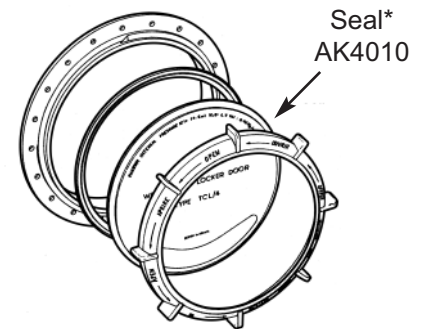
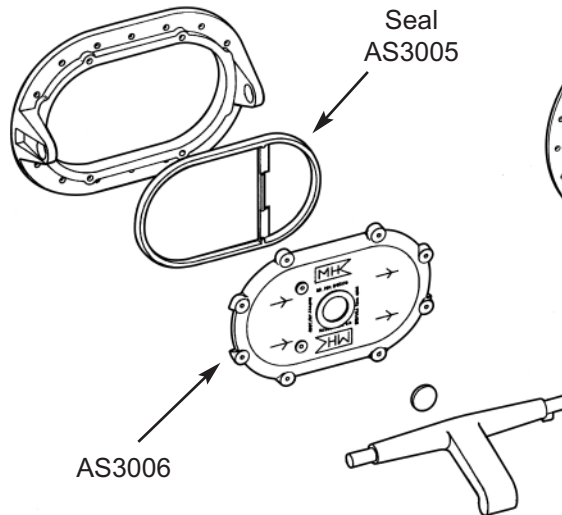
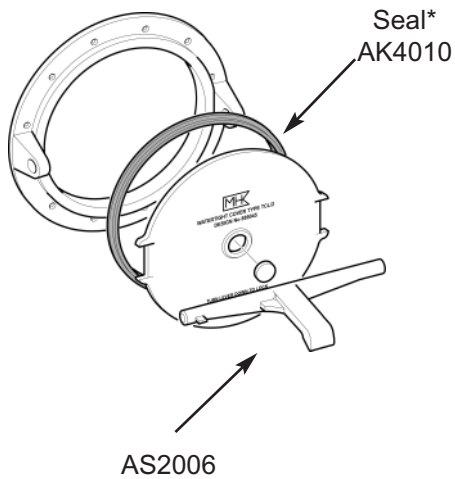
TCL 2



TCL 3



TCL 4



Service Kits

AK3005 Service Kit of Serviceable Parts for TCL 3

Qty	Containing
1	Seal
1	Buffer pad

AK4010 Service Kit of Serviceable Parts for TCL 2 & TCL 4

Qty	Containing
1	Seal (moulded white) TCL 2 or 4
1	O-ring seal (black) TCL 4 only



AK4010



AK3005



AS3006



Locker Doors / Deck Hatches

LD2000/ LD3000 / LD4000 / LD4002

INSTALLATION & USER INSTRUCTIONS

Thank you for purchasing this Whale® product.

For over 60 years Whale has led the way in the design and manufacturer of freshwater and waste systems including:- plumbing, faucets, showers and pumps for low voltage applications. The company and its products have built a reputation for quality, reliability and innovation backed up by excellent customer service.

For information on our full product range visit: www.whalepumps.com

CONTENTS

1. Application
2. Warnings
3. Parts List
4. Instructions for Installation
5. Service Kits
6. Maintenance
7. Service Support Details
8. Patents and Trademarks
9. Warranty

Read the following carefully before installation

To the Fitter:

Check that the product is suitable for the intended application. Follow these installation instructions and ensure all relevant personnel read the points listed below. Also ensure that these operating instructions are passed on to the end user. The manufacturer cannot be held responsible for claims arising from incorrect installation, unauthorised modification or misuse of the product.

To the User:

Read the following instructions carefully.

1. APPLICATION

All locker doors and deck hatches provide easy access to the storage space, while keeping these areas dry through their robust, watertight design. Aluminium models are suitable for sandy environments. LD4002 features a clear polycarbonate lid for easy inspection, without having to open the locker. Please note they are not suitable for any other purpose. Your warranty will be invalidated if the product is used in any other applications.

2. WARNINGS

With all applications, it is important that a system of safe working practice is applied to installation, use and maintenance:

- Check mounting area is free from hazards e.g. electrical wiring before drilling.
- **Not** suitable for use below the waterline.
- **Do not** use for direct access to a fuel storage tank.
- **Must be** mounted on a flat surface.
- Use an appropriate seal or sealant between flange and mounting surface (not provided).
- Use appropriate screws for mounting locker lid / deck hatch.

3. PARTS LIST

LD2000 (Aluminium)

- 1 x Flange Ring
- 1 x Cover
- 1 x Locking Lever
- 1 x Buffer Pad
- 1 x Seal

LD3000 (Aluminium)

- 1 x Cover TcI/3
- 1 x Flange Ring
- 1 x Locking Lever
- 1 x Seal TcI-3
- 1 x Buffer Pad
- 1 x Sleeve For Locking Lever

LD4000 / LD4002 (ABS)

- 1 x Flange Ring
- 1 x Black Cover (Clear in LD4002)
- 1 x Red Locking Ring
- 1 x O-ring



WARNING

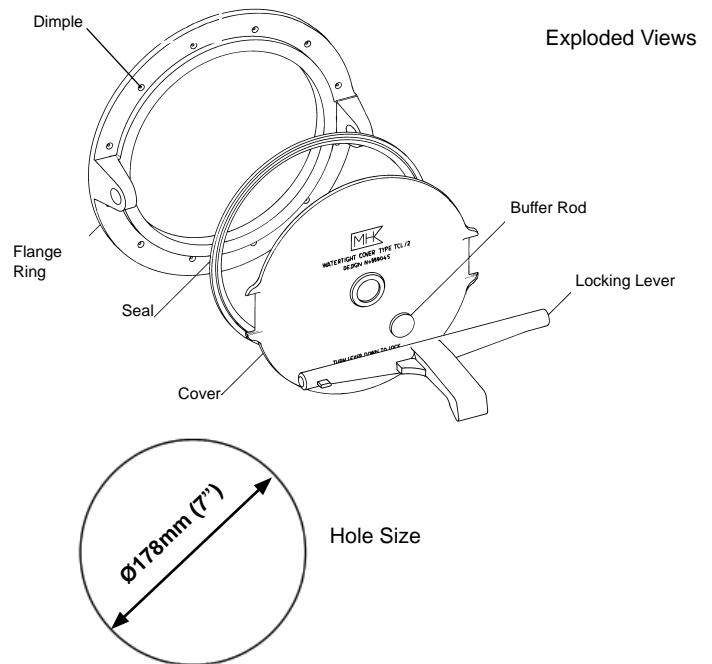
4. INSTRUCTIONS FOR INSTALLATION

For Part Number:-

LD2000

Drill out the 12 dimples on the flange ring.

On a suitable flat surface, and using the flange ring as a template, mark off the 12 mounting holes and the central hole on the mounting surface. Drill out central circle 178mm (7") and 12 pilot holes for mounting. Use 12 appropriately sized self-tapping screws for mounting the flange ring. An appropriate seal or sealant must be used between the aluminium flange ring and the mounting surface.



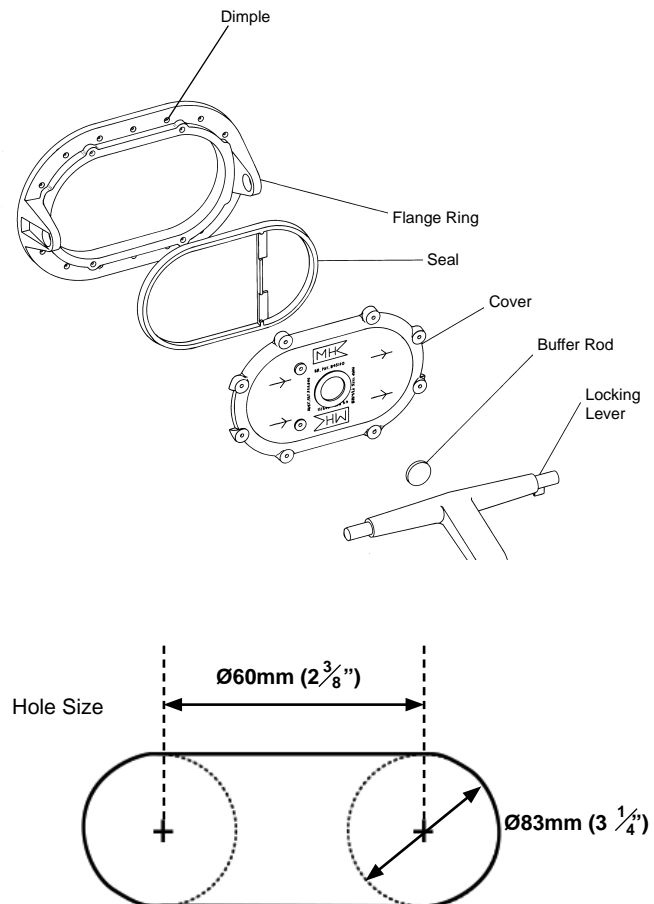
For Part Number:-

LD3000

Drill out the outer 16 dimples on the flange ring.

On a suitable flat surface, and using the flange ring as a template, mark off the 16 mounting holes and the central slot on the mounting surface.

Using an $\text{Ø}83\text{mm (3 } \frac{1}{4}\text{")}$ circular saw, cut two holes 60mm ($2 \frac{3}{8}\text{")}$ apart from their centres. Drill 16 pilot holes for mounting. Use appropriate cutting tool to remove remaining material on mounting surface. Use 16 appropriately sized self-tapping screws for mounting the flange ring. An appropriate seal or sealant must be used between the aluminium flange ring and the mounting surface.



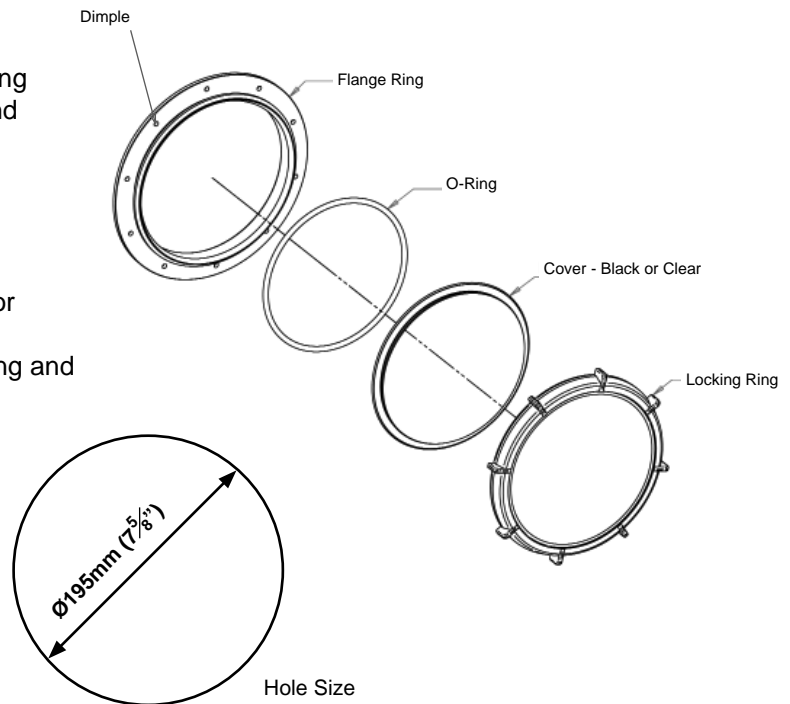
For Part Number:-

LD4000 / LD4002

On a suitable flat surface, and using the flange ring as a template, mark off the 10 mounting holes and the central hole on the mounting surface.

Drill out the 10 pilot holes for mounting, and the central $\varnothing 195\text{mm}$ ($7 \frac{5}{8}"$) hole.

Use 10 appropriately sized self-tapping screws for mounting the flange ring. An appropriate seal or sealant must be used between the ABS flange ring and the mounting surface.



5. SERVICE KITS

AK4010 - Seal and O-ring Service Kit for LD2000, LD4000 and LD4002 models

AS2006 - Cover and Locking Lever Replacement Service Kit for LD2000

AS3006 - Cover and Locking Lever Replacement Service Kit for LD3000

6. MAINTENANCE

These locker doors should be regularly checked for damage/wear. Rubber seals should be replaced if worn, or every three years. Refer to Section 5.

7. SERVICE SUPPORT DETAILS

For installation or service advice please contact Whale® Customer Support:

UK Support
Tel: +44 (0)28 9127 0531
Email: info@whalepumps.com
www.whalepumps.com

USA Support
Tel: +1 616 897 9241
Email: info@whalepumps.com

8. PATENTS AND TRADEMARKS

WHALE® is a registered trademark of Munster Simms Engineering Limited, Bangor, Northern Ireland trading as Whale.

9. WARRANTY

This Whale® product is covered by a 1 year warranty. Please see the enclosed document for details of our Statement of Limited Warranty.

© Copyright Whale 2016 - All rights reserved. Reproduction in whole or in part, without prior permission, is prohibited. Whale's policy is one of continuous improvement and we reserve the right to change specifications without prior notice. Illustrations are for guidance purposes only. Please note that by contacting Whale® Support you will be indicating your consent to receiving product updates, recall information, help guides and appropriate marketing messages from us via post, email or telephone unless you indicated an objection to receiving such messages.

Munster Simms Engineering Ltd.
2 Enterprise Road, Bangor, N. Ireland BT19 7TA

Tel: +44 (0)28 9127 0531
info@whalepumps.com
www.whalepumps.com