

Orca Electric Bilge Range

Compact and Powerful Electric Bilge Pump Range designed for use with a separate electric bilge switch
Whale's widest range of electric submersible bilge pumps ever

NEW HIGH CAPACITY MODELS

Efficient design with large footprint to ensure maximum surface area exposure to bilge water, now available in higher capacity 2000 and 3000 models.

Product code: see table

Lowest drain down 8mm / 1/3"

Simple plumbing

500 models - 19 mm (3/4") ports

950, 1300 models - 25mm (1") or 28.5mm (1 1/8") stepped port connections

2000 models - 28.5mm (1 1/8")

3000 models - 32mm (1 1/4")

Easy maintenance
- easy access to motor cartridge and filter

Easy release cover
- simply press both buttons and pull to release

Robust housing
- fuel resistant ABS

Efficiency
- large surface area ensures maximum area exposed to bilge water

Versatile installation
- choose from multiple wire location options



NEW Widest Range Ever



Features and Benefits

- High performance
- Simple installation
 - Multiple wire locations
- Low amp draw means long battery life
- Easy maintenance
 - Access to motor cartridge and filter area
- Compact design
- Available in a range of 5 flow capacities
 - 500, 950, 1300, 2000 and 3000 US GPH
- 2000 and 3000 models self clearing
 - prevent cavitation

3 Year Warranty

Awards and Accreditations

- Pumps meet ISO8849 marine standard
- CE certified

COMPLETE YOUR SYSTEM

Whale high quality bilge accessories including electric bilge switches, non-return valves, elbows and Y pieces. Page 48 - 51



BE9002 Floatswitch suitable for use with 12 V d.c. or 24 V d.c. pumps
 Note: (Up to 15 amp rated 500, 950, 1300 Orca models)

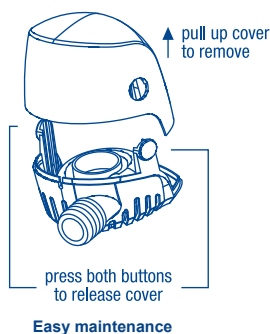
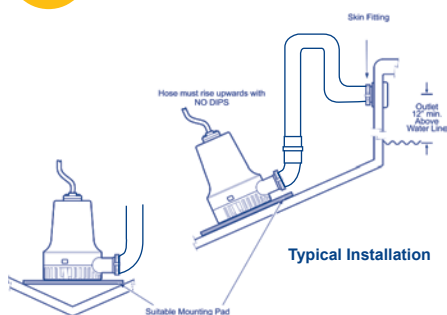


BE9003 Electric field sensor switch suitable for use with 12V d.c. or 24 V d.c. pumps



BE9006 Electric field sensor switch with built-in 30 second time delay suitable for use with 12V d.c. or 24 V d.c. pumps

i Product Information



YOU MAY ALSO LIKE

Orca Auto 1300 – Compact, powerful and automatic submersible bilge pump- page 22

Supersub Smart Automatic narrow low profile submersible bilge pumps – page 20

Supersub – narrow low profile submersible bilge pumps (designed for use with a separate electric bilge switch) – page 18

Model Specifications

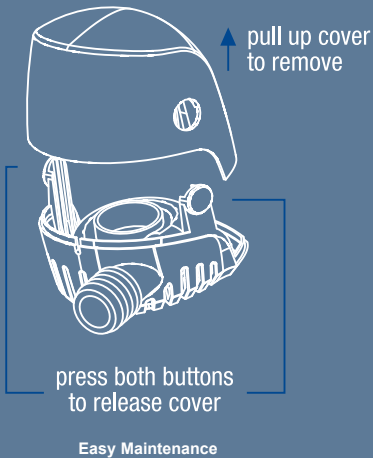
Model	500 US GPH	950 US GPH	1300 US GPH	1300 US GPH	2000 US GPH		3000 US GPH	
Product Code	BE0500	BE0950	BE1450	BE1454	BE2002	BE2004	BE3002	BE3004
Open Flow Rate @13.6 V d.c.	500 GPH (32 l/min)	950 GPH (59 l/min)	1300 GPH (82 l/min)		2000 US GPH (126 l/min)		3000 US GPH (189 l/min)	
Flow Rate at 1m (3ft) head	450 GPH (28 l/min)	850 GPH (53 l/min)	1100 GPH (69 l/min)		1650 US GPH (104 l/min)		2700 US GPH (170 l/min)	
Nominal Voltage		12 V d.c.		24 V d.c.	12 V d.c.	24 V d.c.	12 V d.c.	24 V d.c.
Current Draw	1.5 amps	3.5 amps	5.0 amps	2.5 amps	10 amps	5.0 amps	18 amps	9 amps
Recommended Automotive Fuse	2.0 Amp	5.0 Amp	7.5 Amp	5.0 Amp	15 Amp	7.5 Amp	25 Amp	15 Amp
Weight	0.28 kg. (0.6lbs)	0.45 kg. (1 lb)	0.82 kg. (1.8 lbs)		1.32kg (2.9lbs)		2.64kg (5.82lbs)	
Hose Connection	3/4" (19mm)	1 1/8" (25/28.5mm)	1 1/8" (25/28.5mm)		1.32kg (2.9lbs)		2.64kg (5.82lbs)	
Wire Size			1.5mm2 (16 AWG)					
Materials	Pump Body- ABS, Seals: Nitrile®, Impeller: Acetal							
Maximum Discharge Head	3 m (9.8ft)	3.5m (11.5ft)	4.5m (14.8ft)		4 m (13 ft)		4.6 m (15ft)	
Overall Height	83mm (3.3")	109mm (4.3")	129mm (5.1")		165mm (6.5")		195mm (7.7")	
Overall Width	102mm (4")	135mm (5.3")	168mm (6.6")		144mm (5.7")		168mm (6.5")	
Overall Depth	78.5mm (3.1")	103mm (4.1")	121mm (4.8")		120.5mm (4.74")		132mm (5.1")	

Electric Pumps

NEW



Orca Electric Bilge Pump
3 Year Warranty



NEW Float Switch
Bulk Packed (for Builders) BE9002B
Retail Packed BE9002



NEW Electric Field Sensor Switch
Bulk Packed (for Builders) BE9001B
Retail Packed BE9001

Orca- Electric Bilge Pump Range

Compact and Powerful Electric Bilge Pumps

- High performance
- Simple installation- Multiple wire locations
- Meets ISO8849 marine standard
- Low amp draw means long battery life
- Easy maintenance- Access to motor cartridge and filter area
- Compact design
- Robust ABS fuel-resistant housing
- Large filter base ensures maximum surface area exposed to bilge water
- Available in a range of 3 flow capacities-500, 950 and 1300 GPH

Model Specifications

Model	500 US GPH	950 GPH	1300 GPH	1300 GPH
Product Code	BE0500	BE0950	BE1450	BE1454
Open Flow Rate @13.6 V d.c.	500 GPH (32 l/min)	950 GPH (57 l/min)	1300 GPH (82 l/min)	
Flow Rate at 1m (3ft) head	450 GPH (26 l/min)	850 GPH (52 l/min)	1100 GPH (65 l/min)	
Nominal Voltage	12 V d.c.			24 V d.c.
Current Draw	1.5A	3.5A	5.0A	2.5A
Recommended Automotive Fuse	2.0A	5.0A	7.0A	5.0A
Weight	0.28 kg. (0.6lbs)	0.45 kg. (1 lb)	0.82 kg. (1.8 lbs)	
Hose Connection	¾" (19mm)	1 ¼" (28.5mm)	1 ¼" (28.5mm)	
Wire Size	16 SWG x 1m (3ft)			
Materials	Pump Body- ABS, Seals: Nitrile, Impeller: Acetal			
Maximum Discharge Head	3 m (9.8ft)	3.5m (11.5ft)	4.5m (14.8ft)	
Overall Height	83mm (3.3")	109mm (4.3")	129mm (5.1")	
Overall Width	102mm (4")	135mm (5.3")	168mm (6.6")	
Overall Depth	78.5mm (3.1")	103mm (4.1")	121mm (4.8")	

Note: For wiring advice on your installation, please contact Whale.

Float Switch **NEW**

Floatch Switch Ideal for use with Electric Bilge Pumps Including Whale Supersub or Orca Ranges

- Environmentally friendly - no toxic mercury
- Easy to install mounted on either horizontal or vertical surface (e.g. bulkhead or hull)
- Suitable for installations where amp draw is up to 15 amps
- Compact design
- Can be used as a high water bilge alarm (when vertically mounted)

Electric Field Sensor Switch **NEW**

Electric Field Sensor Technology (patented)

- Suitable for use with 12 and 24 volt bilge pumps (e.g. Whale Orca / Supersub range)
- Up to 20 amps switching capacity
- Senses water level and automatically controls the pump
- No toxic mercury
- No moving parts
- Fully potted watertight enclosure



INSTALLATION AND OPERATION MANUAL

Orca Submersible Pump Range



Model Number	Description
BE0500	Orca 500 - 12 V d.c.
BE0950	Orca 950 - 12 V d.c.
BE1450	Orca 1300 - 12 V d.c.
BE1454	Orca 1300 - 24 V d.c.
BE2002(B)	Orca 2000 - 12 V d.c.
BE2004(B)	Orca 2000 - 24 V d.c.
BE3002(B)	Orca 3000 - 12 V d.c.
BE3004(B)	Orca 3000 - 24 V d.c.

* (B) suffix represents a bulk item code

Thank you for purchasing this Whale® product. For over 40 years Whale® has led the way in the design and manufacturer of freshwater and waste systems including:- plumbing, faucets, showers and pumps for low voltage applications. The company and its products have built a reputation for quality, reliability and innovation backed up by excellent customer service.

For information on our full product range visit: www.whalepumps.com

1. SPECIFICATION

Model	500 US GPH (32 ltrs/min)	950 US GPH (57 ltrs/min)	1300 US GPH (82 ltrs/min)		2000 GPH (126 ltrs/min)		3000 GPH (189 ltrs/min)	
Product Code	BE0500	BE0950	BE1450	BE1454	BE2002(B)	BE2004(B)	BE3002(B)	BE3004(B)
Open Flow Rate @ 13.6 V d.c	500 GPH (32 ltrs/min)	950GPH (57 ltrs/min)	1300GPH (82 ltrs/min)		2000 GPH (126 ltrs/min)		3000 GPH (189 ltrs/min)	
Flow Rate @ 1m (3ft) Head	450 GPH (26ltrs/min)	850 GPH (52 ltrs/min)	1100 GPH (65 ltrs/min)		1743 GPH (110 ltrs/min)		2650 GPH (167 ltrs/min)	
Nominal Voltage	12 V d.c.			24 V d.c.	12 V d.c.	24 V d.c.	12 V d.c.	24 V d.c.
Current Draw	1.5 amps	3.5 amps	5.0 amps	2.5 amps	10.0 amps	5.0 amps	18.0 amps	9.0 amps
Recommended Fuse	2.0 amps	5.0 amps	7.0 amps	5.0 amps	15.0 amps	8.0 amps	27.0 amps	13.0 amps
Weight	0.28 kg (0.62lbs)	0.45 kg (0.99lbs)	0.82 kg (1.81lbs)		1.32 kg (2.91lbs)		2.64 kg (5.82lbs)	
Hose Connections	3/4" (19 mm)	1" (25 mm) and 1 1/8" (28 mm)			1 1/8" (28mm)		1 1/4" (32mm)	
Wire Size	1.3mm ² (16 AWG)						2mm ² (14 AWG)	
Materials	Pump body: ABS, Seals: Nitrile, Impeller: Acetal				Pump body: Polypropylene, Seals: Nitrile, Impeller: Acetal			
Maximum Discharge Head	3.0 m (9.8 ft)	3.5 m (11.5 ft)	4.5 m (14.8 ft)		4m (13ft)		4.6m (15ft)	

* Flowrates are stated in accordance with ABYC recommendations at a voltage of 13.6 V d.c.

2. PRINCIPALS OF OPERATION

The Orca submersible electric bilge pump range is designed for use as a bilge pump on marine vessels. These high capacity pumps are compact and powerful, designed for bilge water evacuation.

3. TO THE USER

Read the following instructions carefully before installation and use of equipment.

4. TO THE FITTER

Check that the product is suitable for the intended application, follow these installation instructions and ensure all relevant personnel read the points listed below. Also ensure that these operating instructions are passed on to the end user.

5. APPLICATION

This Whale Orca Electric Bilge Pump is designed for use as a bilge pump in marine vessels to pump bilge water only.

6. WARNINGS

1. This pump outlet must be mounted at least 34cm (12") above the water line when connected to an intake located below the water line.
2. Not suitable for pumping flammable liquids, diesel, chemicals etc. For use in a bilge system only.
3. This pump is designed to exhaust standing water only. These pumps are not intended for damage control. Bilge pump capacities may not be sufficient to prevent flooding from rapid accumulation of water due to storms, rough weather and/ or rapid leaks created by hull damaged and or unsafe navigational conditions.
4. With all applications, it is important that a system of safe working practice is applied to installation, use and maintenance. Ensure the electric supply is turned off.
5. In order to securely fasten this unit, ensure that the mounting surface is a minimum



thickness of 19mm (3/4"). Do **NOT** screw directly onto the hull, it must be mounted to a bulkhead or on an additional board.

7. PARTS LIST

1 x Orca Pump

1 x Screw Kit

8. OPTIONAL EXTRAS

BE9003 / BE9006 - Electric Field Sensor Switch (Available seperately)

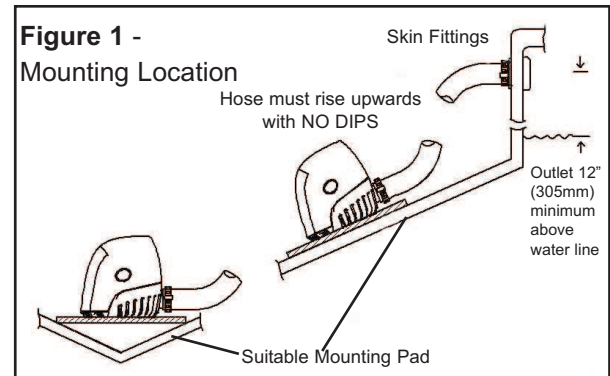
9. INSTALLATION

WARNING: Please note that incorrect installation may invalidate the warranty.

Preparation - Always disconnect power sources before installing.

9.1 Location

- Position pump in the lowest accessible part of the bilge. On sailboats, location should be centred over keel (Fig 1).
- **Do not** mount the pump directly onto the hull. The base strainer must be mounted to a bulkhead or an additional board at least 19mm (3/4") thick.



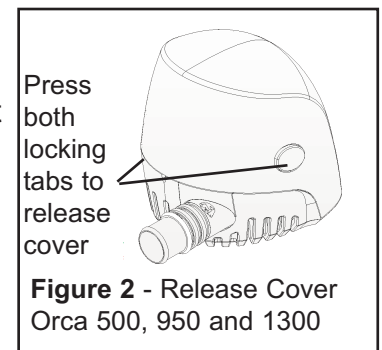
9.2 Mounting Instructions

Before drilling, ensure that the mounted pump will be correctly positioned with pump nozzle pointing towards thru-hull connector.

To remove pump body, place hand over body, depress locking tabs and lift body from strainer base. Note: Motor will be removed with body (see figure 2 and 3).

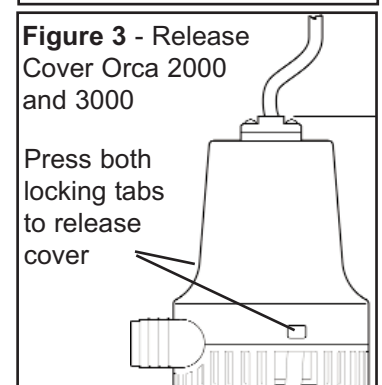
For **Orca 500, 950, 1300 and 2000**

- Use base as template to mark 3 mounting holes for Orca in mounting pad.
- Remove base. Drill three 1/8" (3mm) pilot holes for Orca at marked locations.
- Replace base. Attach with #8 stainless steel fasteners (supplied).
- Re-attach pump body to base. Insert body into strainer base, until base tabs snap into holes in body (see figure 2 and 3).



For **Orca 3000**

- Use base as template to mark 4 mounting holes for Orca 3000 in mounting pad.
- Remove base. Drill four 1/8" (3mm) pilot holes for Orca 3000 at marked locations.
- Replace base. Attach with #8 stainless steel fasteners (supplied).
- Re-attach pump body to base. Insert body into strainer base, until base tabs snap into holes in body (see figure 3).



9.3 Plumbing

IMPORTANT: To prevent airlock, hose must rise continually upward to the thru-hull connector with no dips or sharp bends. Hose support clips should be used at regular intervals where necessary.

- Orientate the pump outlet for a direct path to the hull connector ensuring an unobstructed hose path.
- Secure all connections with hose clamps.
- If no thru-hull connector exists, install at 12" (25mm) minimum height above water line. Apply marine sealant around thru-hull flanges on interior and exterior of hull.

9.4 Electrical Wiring

Ensure all wire connections are at the highest level above water. Use marine grade wire connectors only and 16 AWG tinned copper wire. Waterproof all connections with suitable materials (see figure 4 and 5).

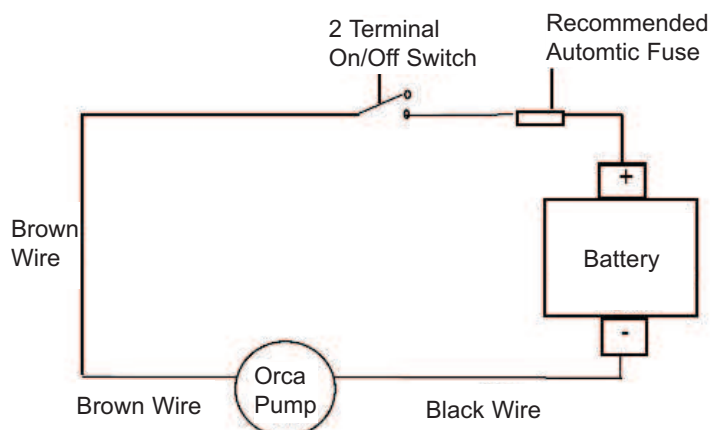


Figure 4 - Wiring for Orca 500, 950 and 1300

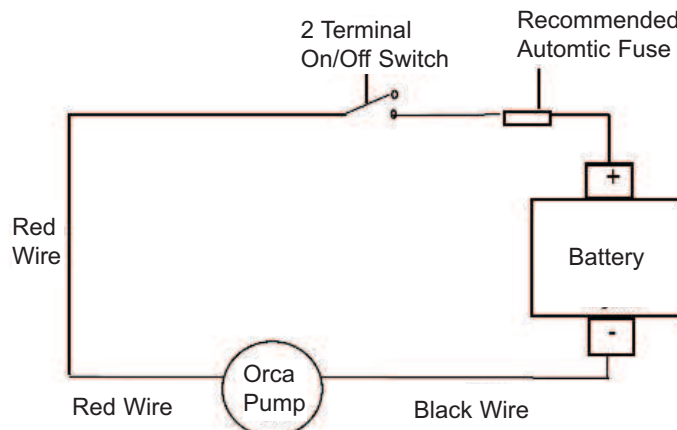


Figure 5 - Wiring for Orca 2000 and 3000

- Connect positive (+) brown wire (500, 950 and 1300) or red wire (2000 and 3000) to switch. For automatic operation, use an Automatic Float Switch (Whale BE9003).
- Connect negative (-) black wire to ground.
- Install fuse holder within 72" (183cm) of the positive (+) battery terminal.
- To test system, feed water into the pump. If flow rate appears low, make sure wires are connected properly:

Brown or Red to switch

Black to negative (battery)

WARNING: Reversed wiring reduces performance and can cause pump failure.

WARNING: Fire hazard. Wiring must comply with applicable electrical standards and include a properly rated fuse or circuit breaker. Improper wiring can cause a fire resulting in injury or death.

NOTE Switch off the power prior to making connections. Suggested wiring information is given as a guide only. For full information, refer to the USCG, ABYC and ISO regulations for marine applications and wiring gauges, connectors and fuse protection.



10. MAINTENANCE

This Orca is designed only to require minimal maintenance.



WARNING - Before servicing, disconnect power to the pump and drain system.

Optimal performance

- Regularly remove motor housing and inspect and clean filter to be sure that it is not being blocked by debris.

Annual Checks

- Whale advise that the boat's plumbing system should be checked at least annually for leaks and obstructions. Also a pump electrics test is advisable. If you are not familiar with applicable electrical standards. Ensure that the electric test is completed by a qualified electrician/ technician

11. WINTERIZING

NOTE - Fully drain system for winterizing

Whale do not guarantee warranty if the system is not fully drained for winterizing.

12. TROUBLESHOOTING

PROBLEM	POSSIBLE CAUSES	POTENTIAL SOLUTION
Pump runs but does not pump water	Hose may have blockage or airlock	Clear the hose of any blockages and ensure that outlet hose runs upward to the thru-hull connector, with no dips
	Impeller may be restricted	Remove pump housing from base. Remove debris from chamber and impeller. Ensure that the impeller is firmly attached to shaft and is not cracked or broken
Pump does not run	Blown fuse	Ensure electrical connections and fuse are waterproof and have not loosened

13. PATENTS AND TRADEMARKS

Whale®, is a registered trademark of Munster Simms Engineering Limited, Bangor Northern Ireland trading as Whale®.

14. DECLARATION OF CONFORMITY, STANDARDS, APPROVALS

This product complies with all relevant European directives and standards. Please contact Whale® if further details are required.

15. WARRANTY STATEMENT

This Whale® product is covered by a 1 year warranty.
Please see the enclosed document for details of our statement of limited warranty.

16. SERVICE SUPPORT DETAILS

For installation or service advice please contact Whale customer support:

UK Tel: +44 (0)28 9127 0531

USA Tel: 1 802 367 1091

UK Fax: +44 (0)28 9146 6421

USA Fax: 1 802 367 1095

UK Email: info@whalepumps.com

USA Email: usasales@whalepumps.com

©Copyright Whale 2011- All rights reserved.

WHALE®, is a registered trademark of Munster Simms Engineering Limited, Bangor Northern Ireland trading as Whale. Whale's policy is one of continuous improvement and we reserve the right to change specifications without prior notice. Illustrations are for guidance purposes only.

Depuis plus de 40 ans, Whale ® a ouvert la voie à la conception et la fabrication de systèmes d'eau douce et de traitement des eaux usées incluant: les pompes, la plomberie, les robinets et les douches pour les applications basse tension. L'entreprise et ses produits se sont construits une réputation grâce à la qualité, la fiabilité et l'innovation. Tout ceci passant par un excellent service client. Pour plus d'informations sur notre gamme complète de produits, visitez www.whalepumps.com

1. SPECIFICATION

Modèle	500 US GPH	950 US GPH	1300 US GPH		2000 GPH		3000 GPH	
Code Produit	BE0500	BE0950	BE1450	BE1454	BE2002(B)	BE2004(B)	BE3002(B)	BE3004(B)
Débit ouvert @ 13,6 V. d.c. par minute	32 ltrs	57 ltrs	82 ltrs		126 ltrs		189 ltrs	
Débit @ 1m (3ft) de hauteur par minute	26 ltrs	52 ltrs	65 ltrs		110 ltrs		167 ltrs	
Tension nominale	12 V d.c.			24 V d.c.	12 V d.c.	24 V d.c.	12 V d.c.	24 V d.c.
Appel de courant	1.5 A	3.5 A	5.0 A	2.5 A	10.0 A	5.0 A	18.0 A	9.0 A
Fusible recommandé	2.0 A	5.0 A	7.0 A	5.0 A	15.0 A	8.0 A	27.0 A	13.0 A
Poids	0.28 kg	0.45 kg	0.82 kg		1.32 kg		2.64 kg	
Raccord tuyauterie	20 mm	25 mm et 28 mm		28mm		32mm		
Dimension du fil	1.3mm ² (16 AWG)						2mm ² (14 AWG)	
Matériaux	Corps de pompe: ABS, Joints: Nitrile, Turbine: Acetal				Corps de pompe: Polypropylène, Joints: Nitrile, Turbine: Acetal			
Hauteur de refoulement max	3.0m	3.5m	4.5m		4m		4.6m	

* Les débits sont indiqués conformément aux recommandations de l'ABYC à une tension de construction de 13,6 V.d.c.

2. PRINCIPES DE FONCTIONNEMENT

La gamme de pompes de cale submersibles Orca est conçue pour une utilisation en tant que pompe de cale dans les embarcations de plaisance. Ces pompes à grande capacité sont compactes, puissantes et conçues pour l'évacuation des eaux de cale.

3. A L'UTILISATEUR

Lisez attentivement les informations suivantes.

4. POUR L'INSTALLATEUR

Vérifiez que le produit est adapté pour l'utilisation voulue et suivez ces instructions d'installation. Assurez-vous que tout le personnel concerné lira les points énumérés ci-dessous. Veillez également à ce que ces instructions soient transmises à l'utilisateur final.

5. APPLICATIONS

Cette pompe submersible électrique Orca a été conçue pour être utilisée comme pompe de cale dans des vaisseaux marins pour pomper l'eau fraîche ou usée uniquement.

6. MISES EN GARDE

1. L'évacuation de cette pompe doit être montée au moins 34cm au-dessus de la ligne de flottaison lorsque la crépine de la pompe est située en-dessous de la ligne de flottaison.
2. Ne convient pas pour le pompage de liquides inflammables, de diesel, de produits chimiques. Convient pour l'eau de cale seulement.
3. Cette pompe est conçue pour évacuer les eaux stagnantes seulement. Ces pompes ne sont pas conçues afin de contrôler une avarie. La capacité de la pompe de cale peut ne pas être suffisante pour éviter une inondation due à une accumulation rapide de l'eau causée par des orages, du mauvais temps et/ou une voie d'eau résultante d'un dommage subit à la coque et/ou de conditions de navigation dangereuse.
4. Pour toutes les applications, il est important qu'un système de travail sécurisé soit



appliqué pendant l'installation, l'utilisation et l'entretien. S'assurer que l'alimentation électrique est coupée et que le système d'eau est vidangé avant l'installation.

5. Afin de fixer solidement l'appareil, veiller à ce que la surface de montage est une épaisseur minimale de 19 mm (lorsqu'elle est montée avec les vis fournies)

7. LISTE DES PIÈCES

1 x Pompe Orca 1 x Kit de visserie

8. OPTIONS

BE9003 / BE9006 - Déclencheur à champ électrique (disponible séparément)

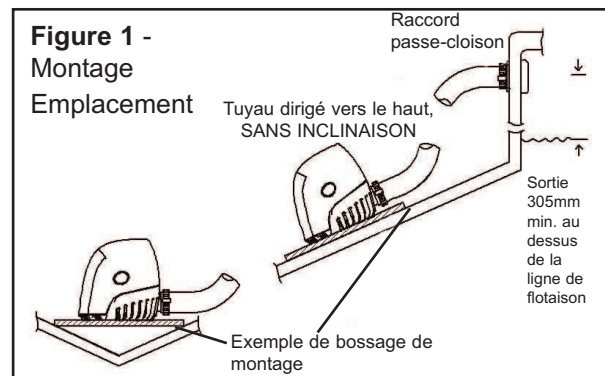
9. INSTALLATION

NOTE: une installation incorrecte annule la garantie

Préparation – Toujours débrancher les sources d'énergie avant l'installation.

9.1 Emplacement

- Placer la pompe dans un puisard ou à l'endroit accessible le plus bas de la cale. Sur les voiliers, cet endroit doit être centré sur la quille (Figure 1).
- Ne pas monter la pompe directement sur la coque. La crépine (base de la pompe) doit être montée à une cloison ou une planche additionnelle d'au moins 19mm d'épaisseur.



9.2 Montage de la Pompe

Avant tout perçage, s'assurer que la pompe montée sera placée correctement avec la sortie de la pompe dirigée vers le raccord passe-cloison.

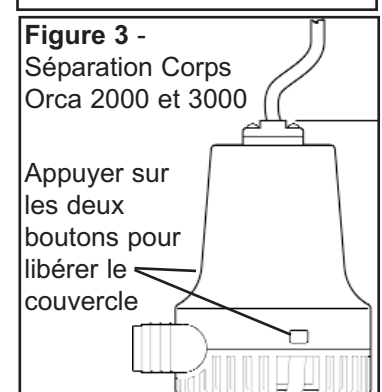
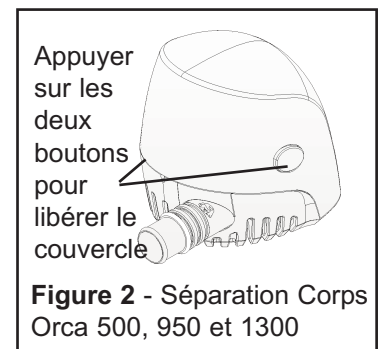
Pour retirer le corps de la pompe, poser les mains dessus, appuyer sur les languettes de fermeture et soulever le corps de pompe pour le séparer de la base de filtrage. **Note:** le moteur partira en même temps que le corps de pompe.

Pour **Orca 500, 950, 1300 et 2000**

- Utiliser la base comme gabarit pour marquer 3 trous de montage dans le bossage de montage.
- Retirer la base. Percer trois trous pilotes de 3mm aux endroits marqués.
- Reposer la base. Fixer avec la visserie en acier inoxydable (fournie).
- Rattacher le corps de la pompe à la base. Placer le corps de pompe sur la base de filtrage, jusqu'à ce que les languettes de la base s'introduisent dans les trous qui se trouvent dans le corps de pompe (Voir Figure 2 ou 3)

Pour **Orca 3000**

- Utiliser la base comme gabarit pour marquer 4 trous de montage dans le bossage de montage.
- Retirer la base. Percer 4 trous pilotes de 3mm aux endroits marqués.
- Reposer la base. Fixer avec la visserie en acier inoxydable (fournie).
- Rattacher le corps de la pompe à la base. Placer le corps de pompe sur la base de filtrage, jusqu'à ce que les languettes de la base s'introduisent dans les trous qui se trouvent dans le corps de pompe (Voir Figure 3)



9.3 Plomberie

IMPORTANT: Pour empêcher des poches d'air, le tuyau doit toujours être dirigé vers le haut sans inclinaison ni coudes à petit rayon jusqu'au raccord passe-cloison. Des clips de maintien devraient être utilisés à intervalles réguliers aux endroits nécessaires.

- Orienter la sortie de la pompe de façon à ce que le chemin du tuyau reste dégagé.
- Sécuriser tous les raccords avec des brides de fixation.
- S'il n'y a pas de raccord passe-cloison, installez à une hauteur minimum de 25mm au-dessus de la ligne de flottaison. Appliquer du mastic de qualité marine autour des colerettes du passe-cloison à l'intérieur et à l'extérieur de la coque.

9.4 Instructions de câblage

S'assurer que tous les raccords de câblage soient placés au plus haut niveau au-dessus de l'eau. Utiliser des cosses de câblage de qualité marine uniquement et du fil de cuivre étamé 16 AWG (norme britannique) soit 1.5mm². Effectuer l'étanchéité de tous les raccords avec un produit adapté (Voir Figure 4 et 5).

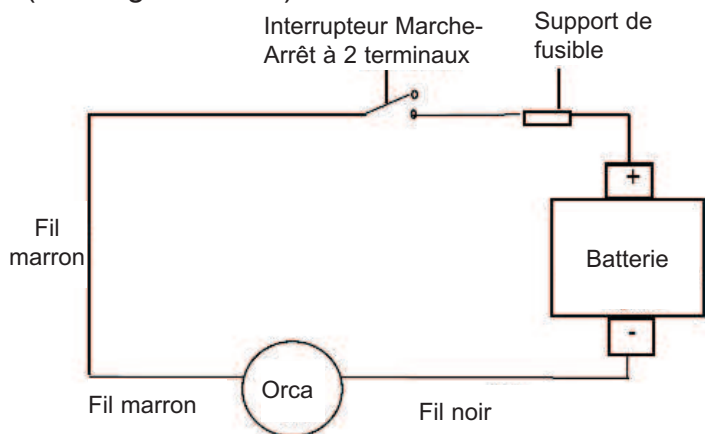


Figure 4 - Câblage pour Orca 500, 950 et 1300

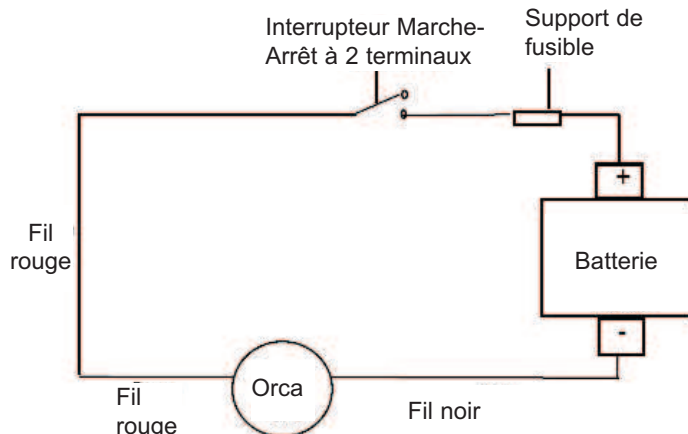


Figure 5 - Câblage pour Orca 2000 et 3000

- Raccorder le fil marron (500, 950 et 1300) ou fil rouge (2000 et 3000) positif (+) à l'interrupteur. Pour un fonctionnement automatique, utiliser un contacteur automatique à flottaison (code produit Whale: BE9003)..
- Relier le fil noir négatif (-) à la terre
- Installer le support de fusible à 183 cm du terminal positif (+) de la batterie.
- Pour tester le système, mettre de l'eau dans la cale. Si le débit semble être faible, vérifier que les fils ont été raccordés correctement:

Marron ou Rouge sur le déclencheur

Noir sur le négatif (Batterie)



NOTE: Si le câblage est inversé, cela réduit la performance et peut occasionner une panne de la pompe.



ATTENTION Risque d'incendie. Le câblage doit être conforme aux normes électriques et comporter un fusible correctement calibré ou un disjoncteur. Un câblage incorrect peut provoquer des blessures ou la mort.

NOTE Couper l'alimentation lorsque vous réalisez les connexions. Les informations sur le câblage suggéré sont données à titre indicatif seulement. Pour des informations complètes, reportez-vous à la USCG, ABYC et aux règlements de l'ISO pour les sections de câblage des applications marines, les connecteurs et les fusibles.

10. ENTRETIEN

Cette Orca est conçue pour ne nécessiter qu'un entretien minimal.

ATTENTION: Avant d'intervenir sur la pompe, arrêter la pompe et évacuer l'eau du système.

Performance optimale

- Retirer régulièrement le boîtier pour inspecter et nettoyer le filtre et s'assurer qu'il n'y a pas de blocage causé par des débris.

Contrôle annuel

- Whale informe que le système de plomberie du bateau est à vérifier au moins annuellement pour contrôler les fuites et les obstructions. Un contrôle de la pompe électrique est également conseillé.

11. HIVERNAGE

NOTE: Hivernage – Vidanger entièrement le système Whale® ne peut pas appliquer la garantie si le système n'est pas complètement vidangé pour l'hiver.

12. RESOLUTION DES PROBLEMES

PROBLEMES	CAUSES POSSIBLE	SOLUTION POTENTIELLE
Si la pompe est en marche mais ne pompe pas l'eau	Voir s'il y a une poche d'air	S'assurer que le tuyau de sortie est dirigé vers le haut en direction du raccord passe-cloison, sans qu'il y ait d'inclinaison.
	Turbine peut être restreinte	Retirer les débris de la chambre et de la turbine. S'assurer que la turbine est bien fixée à l'arbre et qu'elle n'est ni fêlée ni cassée
Si la pompe ne marche pas	Vérifier le fusible.	S'assurer que les raccords électriques et le fusible sont bien étanches et ne sont pas relâchés

13. BREVETS/MARQUES DEPOSEES

Les marques Whale® et Gulper® sont des marques déposées de Munster Simms Engineering Limited (opérant aussi sous le nom de Whale Water System ®)

14. DECLARATION DE CONFORMITE, STANDARDS, CERTIFICATIONS

Ce produit est conforme à toutes les directives et normes européennes. Merci de contacter Whale® si des précisions sont nécessaires

15. DECLARATION DE GARANTIE

Ce produit Whale® est couvert par une garantie de 1 an – Merci de lire ce document ci-joint pour avoir plus de détails sur nos conditions de garantie limitée.

16. DÉTAILS DES SERVICES

Contactez le service client de Whale® pour des conseils techniques supplémentaires

UK Tel: +44 (0)28 9127 0531

USA Tel: 1 802 367 1091

UK Fax: +44 (0)28 9146 6421

USA Fax: 1 802 367 1095

UK Email: info@whalepumps.com

Email USA: usasales@whalepumps.com

©Copyright Whale® 2011- All rights reserved.

WHALE® est une marque déposée de Munster Simms Engineering Limited, Bangor Northern Ireland commercialisant sous le nom de Whale®. La politique de Whale® est une politique d'amélioration continue et nous nous réservons le droit de changer les spécifications sans avertissement préalable. Les illustrations sont présentes à titre d'information seulement.

Vielen Dank, dass Sie sich für dieses Produkt von Whale® entschieden haben. Seit mehr als 40 Jahren ist Whale® führend in der Entwicklung und Herstellung von Frisch- und Abwassersystemen einschließlich Pumpen, Wasserleitungen, Wasserhähne und Duschen für Niederspannungsanlagen. Das Unternehmen und seine Produkte sind zu einem Markenzeichen für Qualität, Zuverlässigkeit und Innovation geworden, die auf eine hervorragende Kundenbetreuung aufbauen. Angaben zu unserer vollständigen Produktpalette finden Sie unter www.whalepumps.com.

1. TECHNISCHE SPEZIFIKATIONEN

Modell	500 US GPH	950 US GPH	1300 US GPH		2000 GPH		3000 GPH	
Produkt Code	BE0500	BE0950	BE1450	BE1454	BE2002(B)	BE2004(B)	BE3002(B)	BE3004(B)
Maximale Pumpenleistung @ 13,6 V pro Minute	32 ltr	57 ltr	82 ltr		126 ltr		189 ltr	
Pumpenleistung @ 1m Druckhöhe pro Minute	26 ltr	52 ltr	65 ltr		110 ltr		167 ltr	
Nominelle Spannung	12 V .			24 V	12 V .	24 V .	12 V .	24 V
Stromentnahme	1.5 A	3.5 A	5.0 A	2.5 A	10.0 A	5.0 A	18.0 A	9.0A
Empfohlene Sicherung	2.0 A	5.0 A	7.0 A	5.0 A	15.0 A	8.0 A	27.0 A	13.0 A
Gewicht	0.28 kg	0.45 kg	0.82 kg		1.32 kg		2.64 kg	
Schlauchanschluss	20mm	25mm und 28mm			28mm		32mm	
Drahtstärke	1.3mm ² (16 AWG)						2mm ² (14 AWG)	
Materialien	Pumpenkörper: ABS, Dichtungen: Nitril, Impeller: Acetal				Pumpenkörper: Polypropylene. Dichtungen: Nitril, Impeller: Acetal			
Maximale Abzugshöhe	3.0m	3.5m	4.5m		4m		4.6m	

* Die Pumpenleistung ist in Übereinstimmung mit den ABYC Empfehlungen bei einer Spannung von 13,6 V Gleichstrom angegeben.

2. BETRIEBSRICHTLINIEN

Die elektronischen Tauchlenzpumpen der Orca Serie sind für die Nutzung als Lenzpumpen auf Wasserfahrzeugen konstruiert. Diese Pumpen mit hoher Kapazität sind kompakt und leistungsstark und zum Abpumpen von Bilgewasser.

3. HINWEISE FÜR DEN VERBRAUCHER

Bitte lesen Sie die folgenden Informationen sorgfältig durch, bevor Sie das Gerät montieren.

4. HINWEISE FÜR DEN MONTEUR

Vergewissern Sie sich, dass das Produkt für den vorgesehenen Einsatz geeignet ist, befolgen Sie diese Montageanleitung und veranlassen Sie, dass alle notwendigen Mitarbeiter die unten aufgeführten Punkte durchlesen. Stellen Sie des Weiteren sicher, dass der Endverbraucher diese Betriebsanleitung erhält.

5. ANWENDUNG

Diese elektrische Whale Orca Lenzpumpe ist für die Verwendung als Lenzpumpe lediglich zum Pumpen von Bilgewasser auf Schiffen bestimmt.

6. WARNINGS

- Die Auslassöffnung der Pumpe muss mindestens 34 cm über der Wasserlinie angebracht werden, wenn sie mit einem Zulauf unterhalb der Wasserlinie verbunden wird.
- Nicht geeignet zum Pumpen von brennbaren Flüssigkeiten, Diesel, Chemikalien, usw. Nur für Bilgewasser geeignet.
- Diese Pumpe ist allein dazu konstruiert, stehendes Wasser abzupumpen. Sie sind nicht zur Schadenskontrolle konzipiert. Die Kapazitäten von Lenzpumpen können unter Umständen nicht ausreichen, um Überflutungen durch schnell anwachsende Wassermassen durch Stürme, raues Wetter und/oder große Lecks, die durch Beschädigungen am Rumpf oder unsichere Navigationsbedingungen entstanden sind, zu verhindern.



4. Bei allen Anlagen ist es wichtig, dass sichere Arbeitsbedingungen gewährleistet sind bei Montage, Gebrauch und Wartung. Stellen Sie sicher, dass die Stromversorgung vor der Montage ausgeschaltet, und das Abwassersystem entwässert ist.
5. Um die Anlage sicher zu befestigen, stellen Sie sicher, dass die Montageunterlage eine Dicke von mindestens 19mm hat (bei Befestigung mit den mitgelieferten Schrauben).

7. STÜCKLISTE

1 x Orca

1 x Schraubensatz

8. OPTIONALES ZUBEHÖR

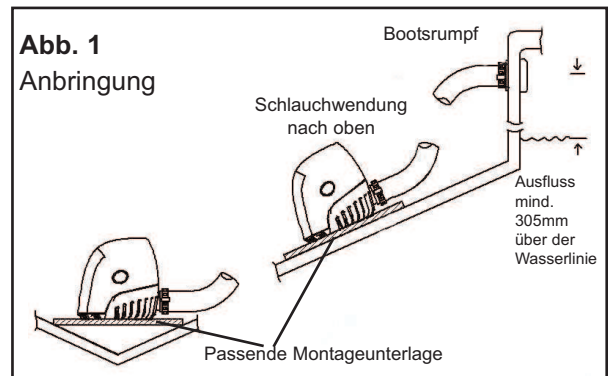
BE9003 / BE9006 - Elektisches-Feld-Sensor (separat erhältlich)

9. INSTALLATION

ANMERKUNG: Fehlerhafte Montage setzt die Garantie außer Kraft
Vorbereitung – Schalten Sie vor dem Installieren immer die Stromquellen aus.

9.1 Anbringung

- Die Pumpe ist im untersten zugänglichen Teil der Bilge anzubringen. Bei Segelbooten sollte der Anbringungsort zentral über dem Kiel liegen. (Abb. 1)
- Die Pumpe ist **nicht** direkt an den Bootskörper zu montieren. Das Basissieb muss an einem Schott oder einem zusätzlichen Brett befestigt werden, das mindestens 19 mm breit ist



9.2 Montieren der Pumpe

Nicht durch den Bootsrumpf bohren. Vor dem Bohren ist die korrekte Position der Pumpe sicherzustellen. Der Pumpenauslass muss dabei auf den Borddurchbruch ausgerichtet sein

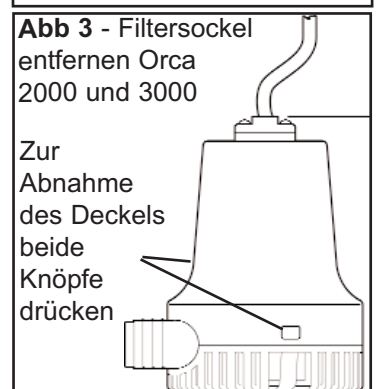
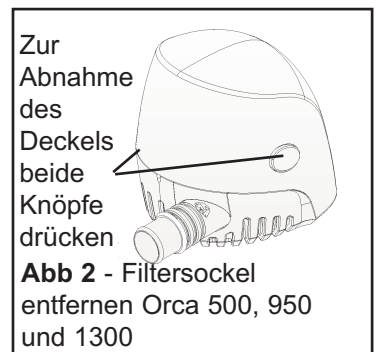
Zur Entfernung des Pumpendeckels die Hand über den Deckel legen und die Verschlussriegel (Augen) eindrücken und den Körper vom Filtersockel abheben. Der Motor wird mit dem Deckel entfernt (siehe Abb 2 und 3)

Für **Orca 500, 950, 1300 und 2000**

- Nutzen Sie den Filtersockel als Bohrschablone für die 3 Befestigungsschrauben
- Filtersockel entfernen und an den markierten Stellen mit 3mm vorbohren.
- Filtersockel wieder aufsetzen und mit den enthaltenen Edelstahlschrauben befestigen.
- Pumpendeckel wieder am Sockel befestigen. Der Körper ist in den Filtersockel so einzubringen, dass der Sockel in die Löcher im Körper einschnappt (siehe Abb. 2 und 3).

Für **Orca 3000**

- Nutzen Sie den Filtersockel als Bohrschablone für die 4 Befestigungsschrauben
- Filtersockel entfernen und an den markierten Stellen mit 3mm vorbohren.
- Filtersockel wieder aufsetzen und mit den enthaltenen Edelstahlschrauben befestigen.
- Pumpendeckel wieder am Sockel befestigen. Der Körper ist in den Filtersockel so einzubringen, dass der Sockel in die Löcher im Körper einschnappt (siehe Abb. 3).



9.3 Schlauchanschluss

Um Lufteinschlüsse zu vermeiden, muss der Schlauch ohne Gefälle oder scharfe Biegungen kontinuierlich nach oben zum Borddurchbruch führen. Wenn notwendig, sollten in regelmäßigen Abständen Schlauchhalterungen montiert werden

- Die Schlauchführung muss zum Abflusspunkt auf direktem Weg ohne Gefahr einer Blockierung erfolgen.
- Alle Verbindungen sind mit Schlauchschellen abzusichern.
- Sollte kein Anschluss zum Borddurchbruch verfügbar sein,, ist die Installation in einer Höhe von min. 25mm über der Wasserlinie durchzuführen.
- Der Flansch am Bootsrumpf ist an der Innen- und Außenwand mit Bootsdichtungsmittel abzudichten.

9.4 Kabelanschluss

Es ist sicherzustellen, dass alle Kabelanschlüsse am höchsten Punkt über der Wasserlinie liegen. Es sollten lediglich Kabelverbindungen speziell für Boote verwendet werden sowie 16 AWG (=Standard Kabeldicke) verzinnter Kupferdraht. Alle Verbindungen müssen mit geeigneten Materialien wasserdicht gemacht werden (siehe Abb. 4 und 5).

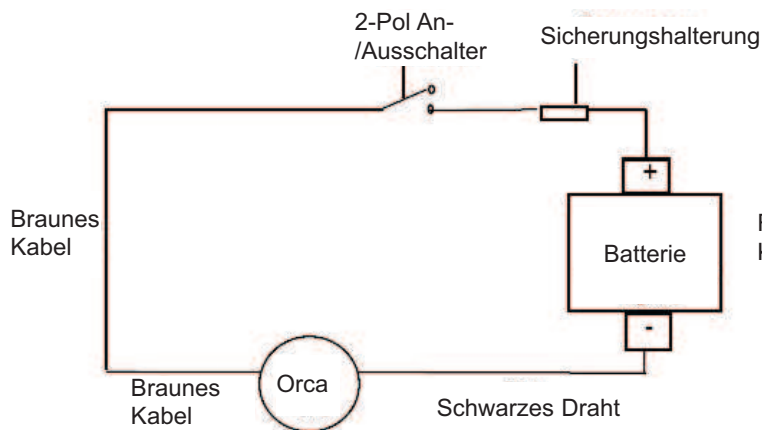


Abb 4 - Verkabelung für Orca 500, 950 und 1300

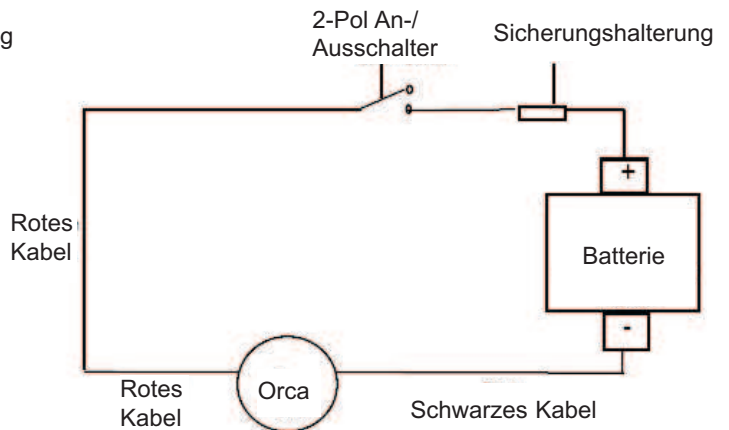


Abb 5 - Verkabelung für Orca 2000 und 3000

- Das positive (+) braune Kabel (500, 950 und 1300) oder das rote Kabel (2000 und 3000) ist mit dem Schalter zu verbinden. Für den automatischen Einsatz ist ein automatischer Schwimmschalter zu verwenden (Whale Produkt Kode: BE9003).
- Das negative (-) schwarze Kabel ist mit dem Minuspol zu verbinden
- Der Sicherungshalter ist 183 cm vor dem positiven (+) Batterieanschluss anzubringen.
- Zum Testen des Systems der Pumpe Wasser zuführen. Wenn die Leistung zu niedrig erscheint, ist sicherzustellen, dass die Kabel korrekt angeschlossen sind:

Braun oder Rot zum Schalter

Schwarz zum negativpol der Batterie

Eine Verpolung reduziert die Leistung und kann zum Ausfall der Pumpe führen

WARNUNG: Brandgefahr. Die Verkabelung muss die geltenden elektrischen Normen erfüllen und eine ordnungsgemäß eingesetzte Sicherung oder einen Schutzschalter haben. Eine unsachgemäße Verkabelung kann einen Brand verursachen der zu Verletzungen oder zum Tode führen kann.



HINWEIS: Schalten Sie die Stromversorgung ab, bevor Sie Kabel verbinden. Empfehlungen zur Verkabelung dienen lediglich als Orientierungshilfe. Umfassende Angaben entnehmen Sie bitte den Verordnungen der USCG und des ABYC sowie den ISO-Normen hinsichtlich der Marineanwendungen, Kabeldicke, Stecker und Sicherungen.

10. WARTUNG

Die Orca ist für minimale Wartungsarbeiten ausgelegt.



WARNUNG: Schalten Sie die Pumpe vor der Wartung aus und entwässern Sie das System

Für eine optimale Leistung

- Das Motorengehäuse sollte regelmäßig entfernt und der Filter untersucht und gesäubert werden, um sicherzustellen, dass keine Blockierung vorhanden ist.

Jährliche Überprüfungen

- Whale® empfiehlt mindestens eine jährliche Überprüfung der Schläuche und Anschlüsse auf undichte Stellen und Verstopfungen. Eine Überprüfung der sich in der Pumpe befindenden Elektronik ist ebenfalls empfehlenswert.

11. EINWINTERUNG

ANMERKUNG: Bei der Einwinterung – Entwässern Sie das System komplett
Whale® kann keine Garantie gewähren, wenn das System bei der Einwinterung nicht komplett entwässert wurde.

12. FEHLERBEHEBUNG

PROBLEM	MÖGLICHE GRÜNDE	MÖGLICHE LÖSUNG
Pumpe läuft, pumpt aber kein Wasser	Auf Luft einschüsse hin untersuchen	Sicherstellen, dass der Ausflussschlauch ohne Gefälle zur Anschlussverbindung nach oben ausgerichtet ist.
	Impeller kann blockiert sein	Pumpengehäuse vom Sockel entfernen. Schmutz von der Kammer und vom Impeller entfernen. Sicherstellen, dass der Impeller an der Welle fest angebracht ist und dass es nicht gerissen oder zerbrochen ist.
Pumpe läuft nicht	Sicherung überprüfen.	Sicherstellen, dass Verbindungen und Sicherung wasserundurchlässig sind und sich nicht gelöst haben

13. PATENTE UND HANDELSMARKEN

Handelsmarken - Whale® und Gulper® ist eine registrierte Handelsmarke von Munster Simms Engineering limited (gewerblich ebenfalls tätig als Whale® Water Systems).

14. EU-KONFORMITÄTSERKLÄRUNG, NORMEN UND ZULASSUNGEN

Dieses Produkt entspricht allen maßgeblichen europäischen Richtlinien und Normen.
Für weitere Angaben wenden Sie sich bitte an Whale®

15. GARANTIEERKLÄRUNG

Auf dieses Whale®-Produkt besteht eine 1-jährige Garantieleistung - Bitte lesen Sie sich für nähere Informationen unsere beigefügte Garantieerklärung durch.

16. ANGABEN ZU SERVICELEISTUNGEN

Für Beratungen bezüglich Montage oder Kundendienst, steht Ihnen die Kundenbetreuung von Whale® zur Verfügung

UK Tel: +44 (0)28 9127 0531

USA Tel: 1 802 367 1091

UK Fax: +44 (0)28 9146 6421

USA Fax: 1 802 367 1095

UK Email: info@whalepumps.com

Email USA: usasales@whalepumps.com

©Copyright Whale® 2011- Alle Rechte vorbehalten.

WHALE® ist ein eingetragenes Warenzeichen von Munster Simms Engineering Limited, Bangor Nordirland gehandelt als Whale®. Die Produkte von Whale® werden ständig verbessert und wir behalten uns alle Rechte vor, Angaben ohne vorheriger Bekanntgabe zu ändern. Abbildungen dienen allein Anleitungszwecken.

Grazie per aver acquistato questo prodotto Whale®. Da oltre 40 anni, Whale® è leader nella progettazione e nella costruzione di sistemi per acqua pulita e di scarico che comprendono: pompe, impianti idraulici, rubinetti e docce per applicazioni a bassa tensione. L'azienda, grazie ai suoi prodotti, si è costruita un'ottima reputazione per la qualità, l'affidabilità e le soluzioni innovative, nonché per l'eccellente servizio di assistenza. Per informazioni sull'intera gamma dei nostri prodotti, visitate il sito www.whalepumps.com

1. SPECIFICHE TECNICHE

Modello	500 US GPH	950 US GPH	1300 US GPH		2000 GPH		3000 GPH	
Codice prodotto	BE0500	BE0950	BE1450	BE1454	BE2002(B)	BE2004(B)	BE3002(B)	BE3004(B)
Portata aperta @ 13,6 V d.c. per minuto	32 ltrs	57 ltrs	82 ltrs		126 ltrs		189 ltrs	
Portata @ 1m (3ft) di prevalenza	26 ltrs	52 ltrs	65 ltrs		110 ltrs		167 ltrs	
Tensione nominale	12 V d.c.			24 V d.c.	12 V d.c.	24 V d.c.	12 V d.c.	24 V d.c.
Corrente assorbita	1.5 A	3.5 A	5.0 A	2.5 A	10.0 A	5.0 A	18.0 A	9.0A
Fusibile raccomandato	2.0 A	5.0 A	7.0 A	5.0 A	15.0 A	8.0 A	27.0 A	13.0 A
Peso	0.28 kg	0.45 kg	0.82 kg		1.32 kg		2.64 kg	
Collegamento tubo	20mm	25mm e 28mm			28mm		32mm	
Dimensioni cavi	1.3mm ² (16 AWG)						2mm ² (14 AWG)	
Materiali	Corpo pompa: ABS, Guarnizioni: Nitrile, Girante: Acetale				Corpo pompa: Polypropylene, Guarnizioni: Nitrile, Girante: Acetale			
Massima prevalenza di scarico	3.0m	3.5m	4.5m		4m		4.6m	

* Le portate sono indicate in conformità alle raccomandazioni ABYC alla tensione progettuale di 13,6 V d.c.

2. PRINCIPI DI FUNZIONAMENTO

Le pompe sommerse per sentina della gamma Orca sono concepite per essere utilizzate come pompe per sentina o su barche marine. Queste pompe a elevata capacità sono compatte e potenti, concepite per lo scarico dell'acqua di sentina.

3. PER L'UTENTE

Leggere attentamente quanto segue prima dell'installazione.

4. PER L'INSTALLATORE

Controllare che il prodotto sia adatto all'applicazione intesa, seguire le presenti istruzioni di installazione e garantire che il personale addetto legga i punti elencati sotto. Assicurarsi anche che le presenti istruzioni d'uso vengano consegnate all'utente finale.

5. APPLICAZIONE

Questa pompa di sentina elettrica Whale Orca è realizzata per l'uso quale pompa di svuotamento in imbarcazioni marine esclusivamente per il pompaggio di acqua di sentina

6. AVVERTENZE

1. Lo scarico della pompa deve essere montato almeno 34 cm sopra la linea di galleggiamento se è collegato a un punto di prelievo situato sotto la linea di galleggiamento.
2. Non adatto per l'uso con liquidi infiammabili, gasolio, chimici ecc. Adatta esclusivamente all'acqua di sentina.
3. Questa pompa è progettata per scaricare solo acqua ferma. Queste pompe non sono progettate per il controllo dei danni. Le capacità delle pompe di sentina possono non essere sufficienti per prevenire allagamenti dovuti al rapido accumulo di acqua a causa di tempeste, pioggia e/ perdite create da danni allo scafo o condizioni di navigazione non sicure.
4. Con tutte le applicazioni, è importante che durante l'installazione, l'utilizzo e la



manutenzione venga adottato un sistema di consuetudini di lavoro sicure. Assicurarsi che, prima dell'installazione, l'alimentazione venga spenta e che l'impianto delle acque di scarico venga svuotato.

5. Per fissare l'unità in modo sicuro, assicurarsi che la superficie di montaggio abbia uno spessore minimo di 19 mm (quando viene fissato con le viti fornite in dotazione).

7. ELENCO DELLE PARTI

1 x Orca Pump

1 x Confezione viti di fissaggio

8. EXTRA OPZIONALI

BE9003 / BE9006 - Interruttore con sensore del campo elettrico (disponibile separatamente)

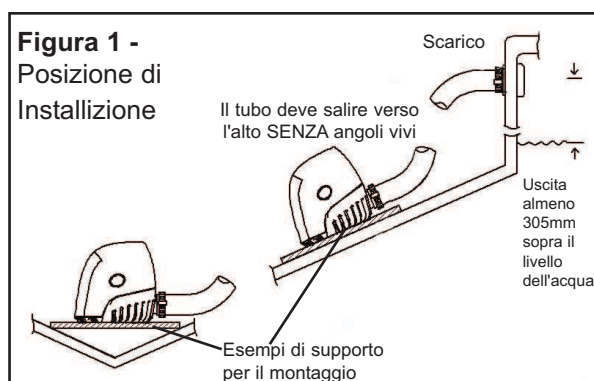
9. INSTALLATION

NOTA: l'errata installazione comporterà l'annullamento della garanzia

Preparazione - Prima di procedere all'installazione, scollegare sempre le fonti di alimentazione.

9.1 Posizionamento

- Posizionare la pompa nella parte più bassa accessibile della sentina. In caso di barche a vela, la posizione dovrà essere centrata sopra la chiglia (Figura 1)
- Non montare la pompa direttamente sullo scafo. Il filtro base deve essere montato su una paratia o un bordo aggiuntivo spessi almeno 19 mm.



9.2 Istruzioni per il montaggio

Prima di procedere alla perforazione, accertare che la pompa montata venga posizionata correttamente con l'ugello pompa rivolto verso il connettore di scarico a mare.

Per rimuovere il corpo della pompa, appoggiare una mano sul corpo, premere le linguette di bloccaggio (occhi) e sollevare il corpo dalla cuffia base. **Nota** Il motore verrà rimosso unitamente al corpo. (vedere figura 2)

Per **Orca 500, 950, 1300 e 2000**

- Utilizzare la base come modello per contrassegnare 3 fori di montaggio sul supporto di montaggio.
- Rimuovere la base. Praticare tre fori pilota di 3 mm nelle posizioni contrassegnate.
- Riposizionare la base. Fissare con i dispositivi di fissaggio in acciaio inossidabile (forniti).
- Rimontare il corpo pompa sulla base. Inserire il corpo nella cuffia base, fino a quando le linguette della base penetrano completamente nei fori sul corpo (vedere figura 2 / 3).

Per **Orca 3000**

- Utilizzare la base come modello per contrassegnare 4 fori di montaggio sul supporto di montaggio.
- Rimuovere la base. Praticare 4 fori pilota di 3 mm nelle posizioni contrassegnate.
- Riposizionare la base. Fissare con i dispositivi di fissaggio in acciaio inossidabile (forniti).
- Rimontare il corpo pompa sulla base. Inserire il corpo nella cuffia base, fino a quando le linguette della base penetrano completamente nei fori sul corpo (vedere figura 3).

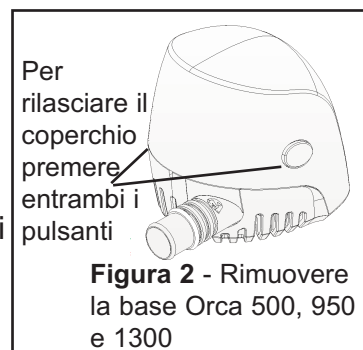


Figura 2 - Rimuovere la base Orca 500, 950 e 1300

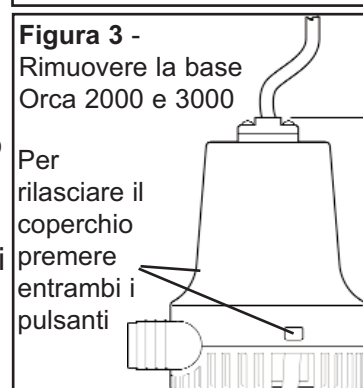


Figura 3 - Rimuovere la base Orca 2000 e 3000

9.3 Allacciamenti Idraulici

IMPORTANTE: Al fine di evitare la formazione di bolle d'aria, il tubo deve salire continuamente verso l'alto fino al connettore di scarico a mare, in assenza di inclinazioni o curve acute. Dovranno

essere utilizzati fermagli di supporto per tubi a intervalli regolari, ove necessario.

- Orientare l'uscita della pompa in modo da garantire che il percorso del tubo sia libero da ostruzioni.
- Fissare tutti i collegamenti con fascette per tubi.
- Qualora non sia già presente un connettore di scarico a mare, installare ad un'altezza minima di 25 mm sopra il livello dell'acqua. Applicare sigillante marino attorno alle flangie di scarico a mare all'interno e all'esterno della chiglia.

9.4 Istruzioni di cablaggio

Accertare che tutti i collegamenti elettrici si trovino al livello più alto possibile rispetto all'acqua.

Utilizzare esclusivamente connettori per uso marino e filo di rame stagnato 16 AWG.

Impermeabilizzare tutti i collegamenti con materiali opportuni (vedere figura 4 e 5).

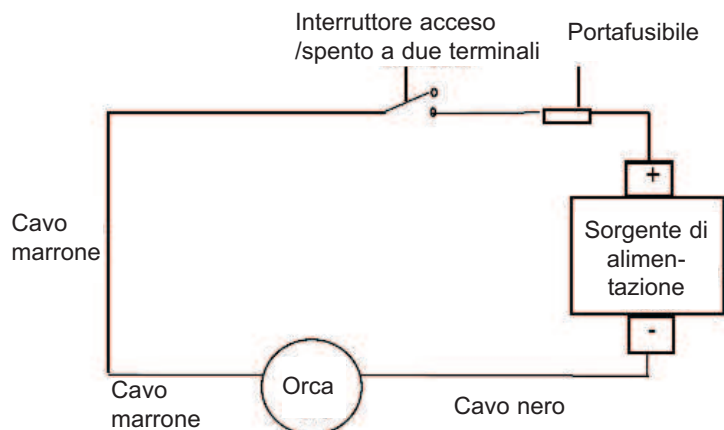


Figura 4 - Cablaggio per Orca 500, 950 e 1300

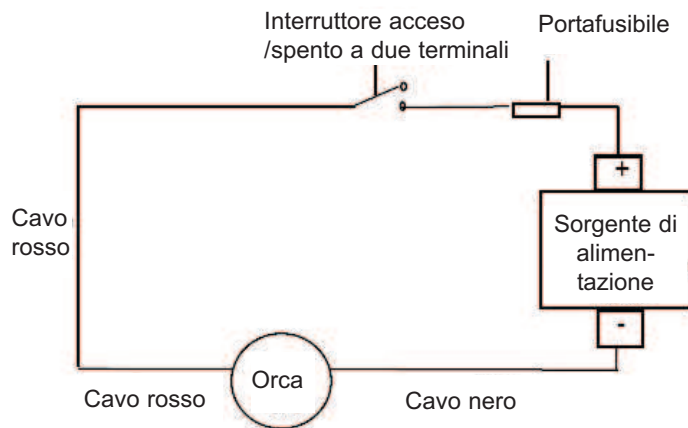


Figura 5 - Cablaggio per Orca 2000 e 3000

- Collegare il cavo positivo (+) marrone (500, 950 e 1300) o il cavo positivo (+) rosso (2000 e 3000) all'interruttore. Per il funzionamento automatico, utilizzare un Interruttore a galleggiante automatico (codice articolo Whale: BE9003)
- Collegare il cavo negativo (-) nero a terra.
- Installare un portafusibili a una distanza non superiore a 183 cm dal terminale positivo (+) della batteria.
- Per collaudare il sistema, alimentare la pompa con acqua. Qualora la portata sia bassa, accertare che i cavi siano stati collegati in modo corretto:

Marrone o rosso a interruttore

Nero a negativo (batteria)



ATTENZIONE! Un collegamento dei cavi in modo inverso riduce le prestazioni e può provocare un guasto della pompa.

ATTENZIONE! Pericolo di incendio. I cablaggi devono essere conformi agli standard elettrici applicabili e includere un fusibile o un interruttore di dimensioni adeguate. Un cablaggio non corretto può causare incendi con rischio di incidenti o morte.

Spegnere l'alimentazione mentre si effettuano i collegamenti. Le informazioni sui cablaggi hanno titolo orientativo. Per informazioni più complete, fare riferimento alle norme USCG, ABYC e ISO per le applicazioni marine e i calibri dei fili, i connettori e i fusibili.

10. MANUTENZIONE

Questa Orca richiede una manutenzione minima.



ATTENZIONE! Durante le operazioni di manutenzione, controllare che la pompa sia scollegata dalle linee elettriche e idrauliche.

Per prestazioni ottimali

- Rimuovere regolarmente la copertura del motore e controllare e pulire il filtro per accertare che non sia intasato da detriti.

Controlli annuali

- Whale® prescrive il controllo almeno annuale della presenza di perdite e ostruzioni nel sistema idraulico. Si raccomanda anche di controllare il sistema elettrico della pompa.

11. PREPARAZIONE PER L'INVERNO

NOTA: In occasione del rimessaggio invernale - svuotare completamente l'impianto Whale® non può rispettare la garanzia se l'impianto non viene svuotato completamente per il rimessaggio invernale

12. IDENTIFICAZIONE E RISOLUZIONE DEI GUASTI

PROBLEMA	POSSIBILI CAUSE	POSSIBILE SOLUZIONE
Se la pompa entra in funzione ma non aspira acqua:	Verificare che non sia presente una bolla d'aria.	Accertare che il tubo d'uscita salga verso l'alto al connettore di scarico a mare, senza inclinazioni
	Girante può essere limitata	Rimuovere la copertura della pompa dalla base. Rimuovere i detriti da camera e turbina. Accertare che la girante sia saldamente fissata all'albero e non sia incrinata o rotta
Se la pompa non entra in funzione	Controllare il fusibile.	Accertare che i collegamenti elettrici e il fusibile siano impermeabili e non si siano allentati

13. BREVETTI E MARCHI REGISTRATI

Marchi registrati - Whale® al Gulper® è un marchio registrato di Munster Simms Engineering limited (in commercio anche come Whale® Water Systems).

14. DICHIARAZIONE DI CONFORMITÀ UE, STANDARD E APPROVAZIONI

Questo prodotto è conforme a tutte le direttive e gli standard europei rilevanti. Contattare Whale® per ulteriori dettagli.

15. GARANZIA

Questo prodotto Whale® è coperto da una garanzia di 1 anno. Si veda il documento allegato per i dettagli sulla nostra dichiarazione di garanzia limitata.

16. DETTAGLI DEL SERVIZIO DI ASSISTENZA

Per l'installazione e l'assistenza si prega di contattare il servizio clienti Whale®.

UK Tel: +44 (0)28 9127 0531

USA Tel: 1 802 367 1091

UK Fax: +44 (0)28 9146 6421

USA Fax: 1 802 367 1095

UK Email: info@whalepumps.com

Email USA: usasales@whalepumps.com

©Copyright Whale® 2011- All rights reserved.

WHALE® è un marchio registrato di Munster Simms Engineering Limited, Bangor Irlanda del nord commercializzato come Whale®. La politica di Whale® è di migliorare costantemente e ci riserviamo il diritto di modificare le specifiche senza darne preventiva comunicazione. Le illustrazioni hanno scopo di guida.

Muchas gracias por comprar este producto Whale®. Desde hace más de 40 años, Whale® es el referente en el diseño y la fabricación de sistemas de agua dulce, achique y aguas residuales incluyendo accesorios de fontanería, grifos, duchas, tanques y bombas en 12 y 24 voltios. La empresa y sus productos son hoy sinónimo de calidad, fiabilidad e innovación, respaldados por un excelente servicio de atención al cliente. Para obtener más información sobre nuestra amplia gama de productos, visite www.whalepumps.com

1. ESPECIFICACIONES

Modelo	500 US GPH	950 US GPH	1300 US GPH		2000 GPH		3000 GPH	
Código del producto	BE0500	BE0950	BE1450	BE1454	BE2002(B)	BE2004(B)	BE3002(B)	BE3004(B)
Caudal a 0m @ 13.6 V por minuto	32 ltrs	57 ltrs	82 ltrs		126 ltrs		189 ltrs	
Caudal a 1m por minuto	26 ltrs	52 ltrs	65 ltrs		110 ltrs		167 ltrs	
Voltaje Nominal	12 V			24 V	12 V	24 V.	12 V	24 V
Consumo	1.5 A	3.5 A	5.0 A	2.5 A	10.0 A	5.0 A	18.0 A	9.0A
Fusible recomendado	2.0 A	5.0 A	7.0 A	5.0 A	15.0 A	8.0 A	27.0 A	13.0 A
Peso	0.28 kg	0.45 kg	0.82 kg		1.32 kg		2.64 kg	
Conexión con la manguera	20mm	25mm y 28mm			28mm		32mm	
Diámetro del cable	1.3mm ² (16 AWG)						2mm ² (14 AWG)	
Materiales	Cuerpo de la bomba: ABS, Juntas: Nitrilo, Turbina de agua: Acetal				Cuerpo de la bomba: Polipropileno, Juntas: Nitrilo, Turbina de agua: Acetal			
Altura máxima de descarga	3.0m	3.5m	4.5m		4m		4.6m	

* Los caudales se ajustan a la normativa de ABYC diseñada para un voltaje de 13.6 V d.c.

2. PRINCIPIOS DE FUNCIONAMIENTO

La gama Orca de bombas sumergibles eléctricas ha sido diseñada para su uso como bombas de achique en embarcaciones. Estas bombas de alta capacidad son compactas y potentes, indicadas para la evacuación del agua de sentina.

3. PARA EL USUARIO

Antes de la instalación lea estos consejos con atención.

4. PARA EL INSTALADOR

Compruebe que el producto es el apropiado para la aplicación, siga las instrucciones de montaje y asegúrese de que todos los instaladores implicados lean los puntos siguientes. Asimismo, debe pasar estas instrucciones al usuario final.

5. APLICACIÓN

Esta bomba de achique eléctrica Whale Orca ha sido diseñada exclusivamente para la extracción de agua de sentina en embarcaciones.

6. ADVERTENCIAS

1. Cuando la bomba se encuentre por debajo de la línea de flotación, la toma de expulsión deberá ser montado, por lo menos, a 34 cm sobre la línea de flotación.
2. No adecuada para el bombeo de líquidos inflamables, diesel, productos químicos, etc. Úsese solamente como sistema de achique
3. Bombas exclusivamente diseñadas para la evacuación del agua acumulada. No deben utilizarse para controlar daños. La capacidad de la bomba quizás no sea suficiente para evitar inundaciones resultantes de una rápida acumulación de agua provocada por tormentas, mal tiempo y/o vías de agua originadas por daños en el casco o condiciones de navegación adversas.
4. En todos los posibles usos es importante aplicar un conjunto de prácticas de trabajo



seguras durante la instalación, el uso y el mantenimiento. Antes de la instalación, se debe comprobar que la alimentación eléctrica esté desconectada y que se haya drenado el sistema.

5. Para una correcta sujeción, compruébese que la superficie de montaje tenga un grosor mínimo de 19 mm (si se utilizan los tornillos suministrados). No atornillar directamente al casco.

7. LISTA DE PIEZAS

1 x Orca

1 x Tornillos de montaje

8. ACCESORIOS OPCIONALES

BE9003 / BE9006 - Interruptor automático electrónico (disponible por separado)

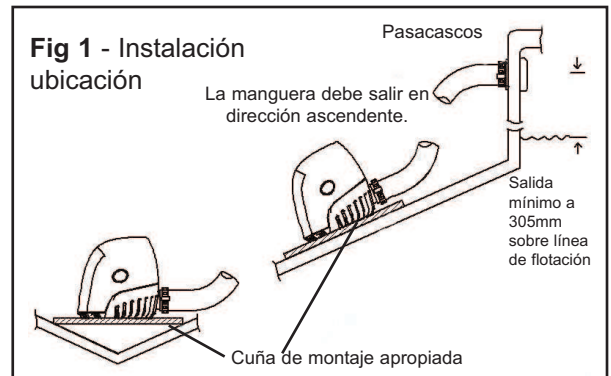
9. INSTALACIÓN

NOTA: tenga en cuenta que una incorrecta instalación podría invalidar la garantía.

Preparación: antes de la instalación, compruebe que la fuente de alimentación esté desconectada.

9.1 Ubicación

- Sitúe la bomba en la parte más baja posible de la sentina. En veleros, se debe colocar sobre la quilla (Fig 1).
- No instale la bomba directamente sobre el casco. La base debe montarse sobre un mamparo o soporte adicional con un grosor mínimo de 19 mm



9.2 Instrucciones de montaje

Antes de taladrar, asegúrese de que la bomba está en la posición correcta con el puerto de salida dirigido hacia el pasacascos.

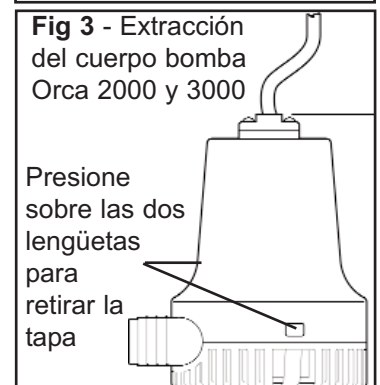
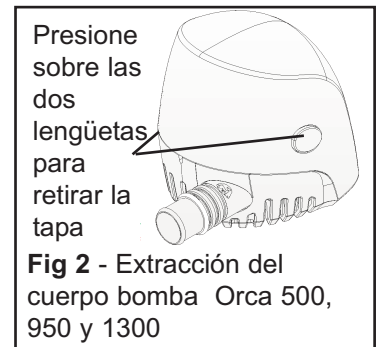
Para extraer el cuerpo de la bomba, ponga una mano sobre la misma, pulsando en las dos lengüetas, separe el cuerpo de la base con rejilla. Importante: el motor va en el cuerpo de la bomba (vea fig 2).

Para **Orca 500, 950, 1300 y 2000**

- Use la base como plantilla para marcar los 3 agujeros de fijación en la cuña soporte.
- Quite la base. Haga los 3 agujeros principales de 3mm en los lugares marcados.
- Vuelva a colocar la base. Sujetar con los tornillos de acero inoxidable (incluidos).
- Vuelva a unir el cuerpo de la bomba a la base. Introduzca el cuerpo en la base con rejilla hasta que las lengüetas de la base encajen en los agujeros del cuerpo (vea fig.2/3).

Para **Orca 3000**

- Use la base como plantilla para marcar los 4 agujeros de montaje en la cuña soporte.
- Quite la base. Haga los 4 agujeros principales de 3mm en los lugares marcados.
- Vuelva a colocar la base. Sujetar con los tornillos de acero inoxidable (incluidos).
- Vuelva a unir el cuerpo de la bomba a la base. Introduzca el cuerpo en la base con rejilla hasta que las lengüetas de la base encajen en los agujeros del cuerpo (fig 3).



9.3 Conexión tuberías

IMPORTANTE: Para prevenir la entrada o retención de aire, la manguera debe salir en ascenso hasta el conector con el casco, sin enredos ni curvas pronunciadas en su trayectoria. Se pueden usar bridas para sujetar la manguera a intervalos regulares si es necesario.

- Dirija la manguera de salida de forma directa con el fin de que no se obstruya.

- Asegure todas las conexiones con abrazaderas para tubos flexibles.
- Si no hay un conector pasacascos, instálelo a una altura mínima de 300mm por encima de la línea de flotación. Aplique material de sellado marino alrededor de las juntas del pasacascos tanto en el interior y como en el exterior del casco.

9.4 Instrucciones para la instalación eléctrica:

Asegúrese de que todas las conexiones de los cables están a la máxima altura posible por encima del nivel del mar. Use sólo conectores aptos para el ambiente marino y cables de 16 AWG de hilo de cobre estañado. Use materiales estancos en todas las conexiones. (vea fig 4 y 5).

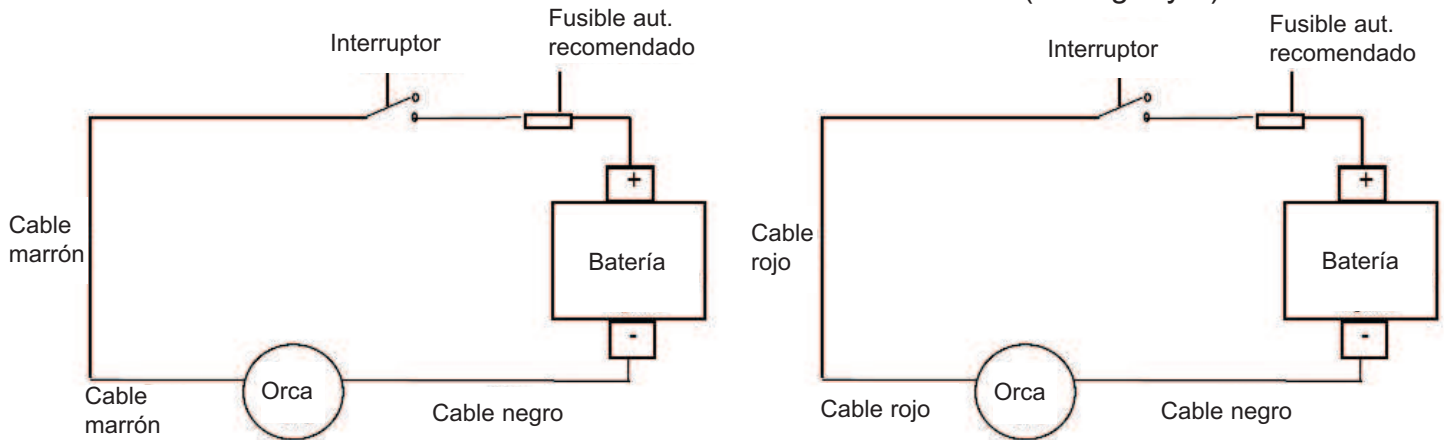


Fig 4 - Instalación eléctrica a Orca 500, 950 y 1300 Fig 5 - Instalación eléctrica Orca 2000 y 3000

- Conecte el cable marrón positivo (+) (500, 950 y 1300) o cable rojo (2000 y 3000) al interruptor. Para uso automático, use un interruptor de flotador automático (código de producto Whale: BE9003).
- Conecte el cable negro (-) al negativo de la batería.
- Instale el portafusibles a no más de 183 cm de distancia del terminal positivo (+) de la batería.
- Para probar el sistema, deje que el cuerpo de la bomba se llene de agua. Si el ritmo de extracción parece bajo, asegúrese de que los cables están conectados correctamente:

Marrón o rojo en el interruptor

Negro en el negativo (batería)

ADVERTENCIA: Si se conecta a la inversa, se reduce el rendimiento y puede causar una avería en la bomba.



ADVERTENCIA: Peligro de incendio. El cableado debe cumplir con las normativas eléctricas aplicables y disponer de un fusible o disyuntor con un régimen nominal adecuado. Un cableado incorrecto puede provocar un incendio con resultado de lesiones personales graves o mortales

NOTA: Antes de realizar las conexiones, se debe desconectar la alimentación eléctrica. La información sobre el cableado sugerido sólo tiene carácter orientativo. Para obtener una información completa, consulte las normativas USCG, ABYC e ISO sobre aplicaciones marinas y calibre de cableado, conectores y fusibles de protección.

10. MANTENIMIENTO

Este equipo Orca se ha diseñado para precisar de un mantenimiento mínimo.



ADVERTENCIA: Durante las tareas de mantenimiento, compruebe que la bomba esté desconectada del circuito eléctrico y de las tuberías.

Consejos para un servicio óptimo

- Extraiga el cuerpo de la bomba regularmente para inspeccionar y limpiar el filtro y así asegurarse de que no exista ninguna obstrucción

Comprobaciones anuales

- Whale® recomienda revisar, por lo menos anualmente, si existen fugas u obstrucciones en el sistema de tuberías de la embarcación. También se recomienda una inspección eléctrica de la bomba. Si usted no está familiarizado con este tipo de trabajos eléctricos, asegúrese de que son realizados por un técnico cualificado.

11. INVERNAJE

NOTA: Drenar completamente el sistema para su invernaje. Whale® no cubrirá la garantía de la bomba si el sistema no ha sido drenado completamente durante su invernaje.

12. SOLUCIÓN DE PROBLEMAS

PROBLEMA	POSIBLES CAUSAS	POSIBLE SOLUCIÓN
Si la bomba está en marcha pero no achica agua	Manguera obstruida o aire en el circuito	Limpiar posibles obstrucciones en la manguera y asegurarse de que llega al pasacascos, de forma directa y sin caídas.
	Impulsor bloqueado	Separe el cuerpo de la base. Limpie las impurezas de la cámara y de la turbina. Asegúrese de que la turbina está sujeta firmemente al eje y no está dañada o rota.
Si la bomba no se pone en marcha	Fusible fundido	Asegúrese de que las conexiones eléctricas y el fusible estén en buenas condiciones y que permanecen estancos

13. PATENTES Y MARCAS REGISTRADAS

Marcas comerciales - Whale® y Gulper® es una marca registrada de Munster Simms Engineering Limited (comercialmente denominada también como Whale® Water Systems).

14. DECLARACIÓN DE CONFORMIDAD EU, NORMAS Y APROBACIONES

Este producto cumple todas las directivas y normas europeas aplicables. Si necesita más información, póngase en contacto con Whale®.

15. DECLARACIÓN DE GARANTÍA

Este producto Whale® tiene una cobertura de garantía de 1 año. Para obtener más información acerca nuestra declaración de garantía limitada, lea el documento anexo.

16. DETALLES DE SERVICIO Y ASISTENCIA

Para obtener asesoramiento sobre la instalación y el servicio póngase en contacto con el servicio de atención al cliente de Whale®

UK Tel: +44 (0)28 9127 0531

USA Tel: 1 802 367 1091

UK Fax: +44 (0)28 9146 6421

USA Fax: 1 802 367 1095

UK Email: info@whalepumps.com

Email USA: usasales@whalepumps.com

©Copyright Whale® 2011- Reservados todos los derechos.

WHALE®, es una marca comercial registrada de Munster Simms Engineering Limited, Bangor Irlanda del Norte comercializada como Whale®. Whale® sigue una política de mejora constante y se reserva el derecho a modificar las especificaciones sin previo aviso. Las ilustraciones se incluyen exclusivamente a modo de guía

Tack för att du har köpt en Whale®-produkt. Under mer än 40 år har Whale® varit ledande på design och tillverkning av färskvatten- och avloppssystem som bl.a.: pumpar, rör, kranar och duschar för lågspänning. Företaget och produkterna har byggt upp ett gott rykte baserat på kvalitet, tillförlitlighet och innovation kombinerat med utmärkt kundservice. För mer information om hela vårt produktutbud, gå till www.whalepumps.com

1. SPECIFIKATION

Modell	500 US GPH	950 US GPH	1300 US GPH		2000 GPH		3000 GPH	
Produktkod	BE0500	BE0950	BE1450	BE1454	BE2002(B)	BE2004(B)	BE3002(B)	BE3004(B)
Flödes hastighet öppen @ 13.6 V.d.c. per minut	32 ltrs	57 ltrs	82 ltrs		126 ltrs		189 ltrs	
Flödes hastighet vid 1m höjd per minut	26 ltrs	52 ltrs	65 ltrs		110 ltrs		167 ltrs	
Volt	12 V d.c.			24 V d.c.	12 V d.c.	24 V d.c.	12 V d.c.	24 V d.c.
Ampere	1.5 A	3.5 A	5.0 A	2.5 A	10.0 A	5.0 A	18.0 A	9.0A
Rekommenderad säkring	2.0 A	5.0 A	7.0 A	5.0 A	15.0 A	8.0 A	27.0 A	13.0 A
Vikt	0.28 kg	0.45 kg	0.82 kg		1.32 kg		2.64 kg	
Slang anslutning	20mm	25mm och 28mm			28mm		32mm	
Rekommenderad kabelstorlek	1.3mm ² (16 AWG)						2mm ² (14 AWG)	
Material	Pumpinneslutning: ABS, Tätningar: Nitril, Impeller: Acetal				Pumpinneslutning: Polypropylene, Tätningar: Nitril, Impeller: Acetal			
Maximal pumphöjd	3.0m	3.5m	4.5m		4m		4.6m	

*Flödes hastigheter anges i enlighet med ABYCs rekommendationer vid referensspänningen 13.6 V d.c.

2. FUNKTIONSPRINCIP

Den elektriska undervattensläns pumpserien Orca är utformad för användning som en läns pump på marina fartyg. Dessa högeffektiva pumpar är kompakta och kraftfulla, utformade för tömning av läns vatten.

3. FÖR ANVÄNDAREN

Läs följande information noga före installation.

4. TILL MONTÖREN

Kontrollera att produkten är lämplig för den avsedda användningen, följ dessa installationsanvisningar och kontrollera att all relevant personal läser punkterna som anges nedan. Kontrollera också att driftanvisningarna överlämnas till slutanvändaren.

5. ANVÄNDNING

Whale Orca elektrisk läns pump är endast avsedd att användas som läns pump i fartyg för att pumpa läns vatten.

6. VARNINGAR

1. Pumpens utlopp ska monteras minst 34 cm ovanför vattenlinjen när den är ansluten till ett intag som ligger under vattenlinjen.
2. Inte lämplig för att pumpa brännbara vätskor som diesel, kemikalier, etc. Endast lämplig för slagvatten.
3. Pumpen är endast avsedd för att pumpa ut stående vatten. Dessa pumpar är inte avsedda för skadebegränsning. Läns pumpens kapacitet är inte tillräcklig för att förhindra översvämningar p.g.a. snabb ansamling av vatten vid stormar, hårt väder och/eller snabba läckor som uppkommer p.g.a. skador på skrovet och/eller osäkra navigeringsförhållanden.
4. För alla enheter gäller att arbetet med installation, användning och underhåll måste ske



säkert. Kontrollera att elförsörjningen är avstängd och att avloppsvattensystemet är tömt före installationen.

5. För säker montering av enheten måste monteringsytan vara minst 19 mm tjock vid montering med bifogade skruvar.

7. DELLISTA

1 x Orca

1 x Skruvsats

8. EXTRA TILLBEHÖR

BE9003 / BE9006 - Elektrisk fältsensoromkopplare (säljs separat)

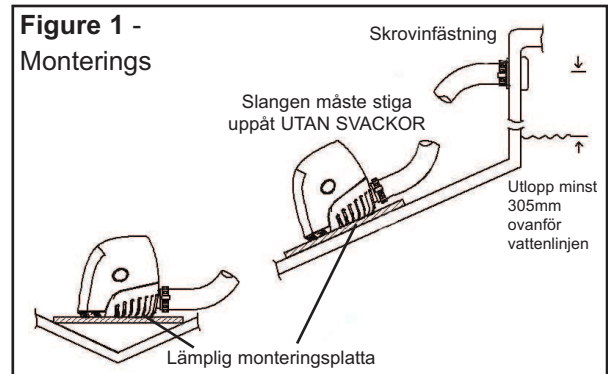
9. INSTALLATION

INFORMATION: Felaktig installation upphäver garantin

Förberedelse - Koppla alltid ur strömkällorna före installation.

9.1 Placering

- Placera pumpen i den lägsta åtkomliga delen av kölen. I segelbåtar ska den placeras över kölen (Fig 1).
- Montera inte pumpen direkt på skrovet. Grundfiltret ska monteras på ett skott eller ett extra bord som är minst 19 mm tjockt.



9.2 Monteringsinstruktioner

Se innan borring till att den monterade pumpen kommer att sitta rätt, med pump-munstycket pekande mot skrovgenomföringen.

För att ta bort pumpinneslutningen: sätt handen över inneslutningen, tryck in låsknapparna och dra upp inneslutningen från bottensilen. Observera: motorn följer med inneslutningen. (se fig 2 och 3).

För **Orca 500, 950, 1300 och 2000**

- Använd bottensilen som mall för att märka ut 3 monteringshål i monteringsplattan.
- Ta bort bottensilen. Borra tre 1/8" (3mm) styrhål vid markeringarna.
- Sätt tillbaka bottensilen. Fäst med # 8 fästen i rostfritt stål (ingår).
- Sätt tillbaka pumpinneslutningen på bottensilen. Tryck ner inneslutningen på bottensilen tills låsknapparna snäpper i läge i hålen i inneslutningen (se fig 2 och 3).

För **Orca 3000**

- Använd bottensilen som mall för att märka ut 4 monteringshål i monteringsplattan.
- Ta bort bottensilen. Borra 4 3mm styrhål vid markeringarna.
- Sätt tillbaka bottensilen. Fäst med # 8 fästen i rostfritt stål (ingår).
- Sätt tillbaka pumpinneslutningen på bottensilen. Tryck ner inneslutningen på bottensilen tills låsknapparna snäpper i läge i hålen i inneslutningen (se fig 3).

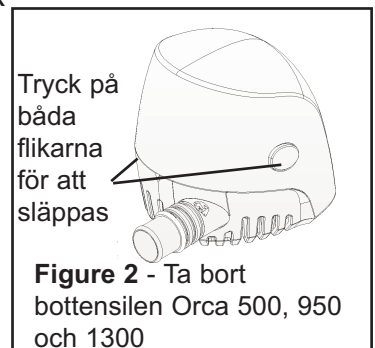


Figure 2 - Ta bort
bottensilen Orca 500, 950
och 1300

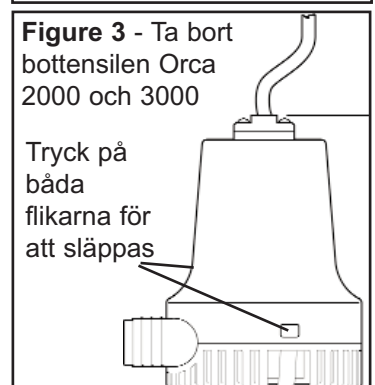


Figure 3 - Ta bort
bottensilen Orca
2000 och 3000

9.3 Slanganslutning

VIKTIGT: För att förhindra luftlås måste slangens gå uppåt kontinuerligt till skrovgenomföringen, utan några svackor eller skarpa böjar. Slanghållare bör användas i jämna intervaller där så behövs.

- Rikta pumputloppet så att slangens går direkt och obehindrat.
- Säkra alla anslutningar med slangklämmor.

- Om ingen anslutning till skrovgenomföring finns, installeras denna minst 25mm ovanför vattenlinjen. Applicera marin tätning runt skrovgenomföringskragar på in och utsidan av skrovet.

9.4 Instruktioner för kabeldragning

Se till att alla kopplingar sitter så högt upp som möjligt ovanför vattnet. Använd endast marinpassade kopplingsdon och 16 AWG förtent kopparledning. Täta alla kopplingar med lämpliga material (se fig 4 och 5).

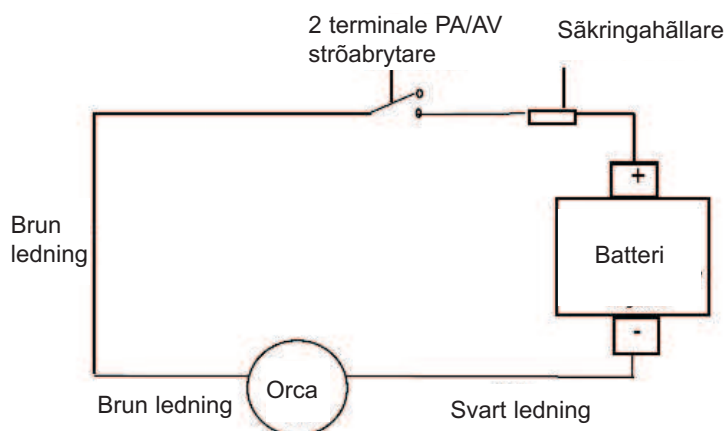


Figure 4 - Ledningsdragning för Orca 500, 950 och 1300

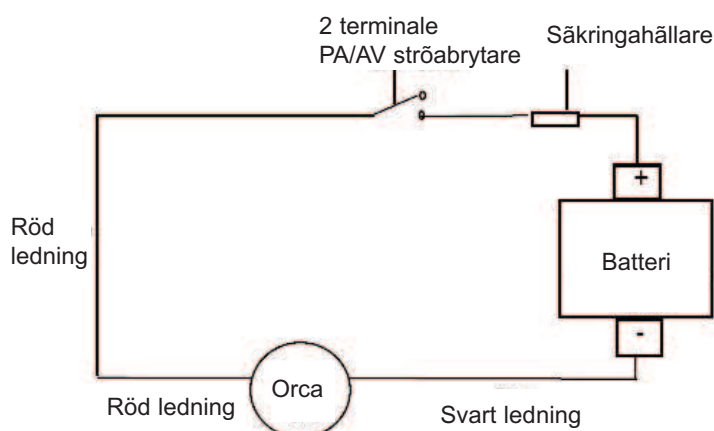


Figure 5 - Ledningsdragning för Orca 2000 och 3000

- Anslut positiv (+) brun ledning (500, 950 och 1300) eller röd ledning (2000 och 3000) till strömbrytaren. Använd en automatisk flot törströmbrytare för automatisk drift (Whale produktkod: BE9003).
- Anslut negativ (-) svart ledning till jord.
- Installera säkringshållare inom 183cm från den positiva (+) batteriterminalen.
- Testa systemet genom att pumpa vatten genom pumpen. Om flödes hastigheten verkar vara för låg, se till att ledningarna kopplats rätt:

Brun eller röd till omkopplare

Svart till negativ (batteri)

WARNING: Omvänd ledningsdragning minskar prestanda och kan orsaka driftstopp.

WARNING: Brandrisk. Ledningsdragningen måste uppfylla tillämpliga elstandarder och förses med en säkring eller skydds brytare med rätt styrka. Felaktig ledningsdragning kan orsaka en brand och leda till skador eller dödsfall.



INFORMATION: Stäng av spänningen inför anslutningsarbetet. Informationen om ledningsdragningen är endast avsedd som guide. För mer information, se USCG-, ABYC- och ISO-bestämmelser för användning i båtar och ledningstvärsnitt, kontakter och säkringar.

10. UNDERHÅLL

Orca är utformad för minimalt underhåll

WARNING: Kontrollera att pumpen är fränkopplad från elförsörjning och rördragningen vid underhåll.

För optimal drift

- Ta regelbundet av motorinneslutningen och inspektera och rengör filtret för att säkerställa att det inte blockeras av skräp.

Årliga kontroller

- Whale® rekommenderar att båtens rörsystem kontrolleras minst årligen med avseende på läckor och igensättningar. Även en kontroll av pumpens elsystem rekommenderas.

11. INFÖR VINTERN

INFORMATION: Töm hela systemet vid vinterförvaring

Whale® ger ingen garanti om systemet inte tömts helt vid vinterförvaring

12. FELSÖKNING

PROBLEM	MÖJLIGA ORSAKER	TÄNKBAR LÖSNING
Om pumpen går men inte pumpar vatten	Kontrollera så att slangen inte är igensatt	Se till att utloppsslangen går uppåt till skrovgenomföringen utan några svackor
	Impellern kanske inte går fritt.	Ta av pumpinneslutningen från bottensilen. Ta bort skräp från kammare och impeller. Se till att impellern sitter fast ordentligt i axeln och inte är sprucken eller trasig
Om pumpen inte går	Kontrollera säkringen	Säkerställ att elektriska anslutningar och säkringar är vattentäta och inte har lossnat

13. PATENT OCH VARUMÄRKEN

Varumärken - Whale® / Gulper® är ett registrerat varumärke och ägs av Munster Simms Engineering limited (verkar även under namnet Whale® Water Systems).

14. EU-FÖRSÄKRAN OM ÖVERENSSTÄMMELSE, STANDARDER OCH TYPGODKÄNNANDEN

Produkten uppfyller alla relevanta EU-direktiv och standarder. Kontrollera Whale® för mer information vid behov.

15. GARANTI

Denna produkt från Whale® har 1 års garanti. Se bifogat dokument för information om garantins begränsningar.

16. SERVICEINFORMATION

Kontakta kundservice på Whale® för installation eller servicerådgivning

UK Tel: +44 (0)28 9127 0531

USA Tel: 1 802 367 1091

UK Fax: +44 (0)28 9146 6421

USA Fax: 1 802 367 1095

UK Email: info@whalepumps.com

Email USA: usasales@whalepumps.com

©Copyright Whale® 2011- Alla rättigheter reserverade.

WHALE® är ett registrerat varumärke som tillhör Munster Simms Engineering Limited, Bangor Nordirland och som verkar under namnet Whale®. Vi strävar efter att ständigt förbättra produkterna och vi förbehåller oss rätten att ändra specifikationer utan förvarning. Bilderna är endast avsedda som vägledning.