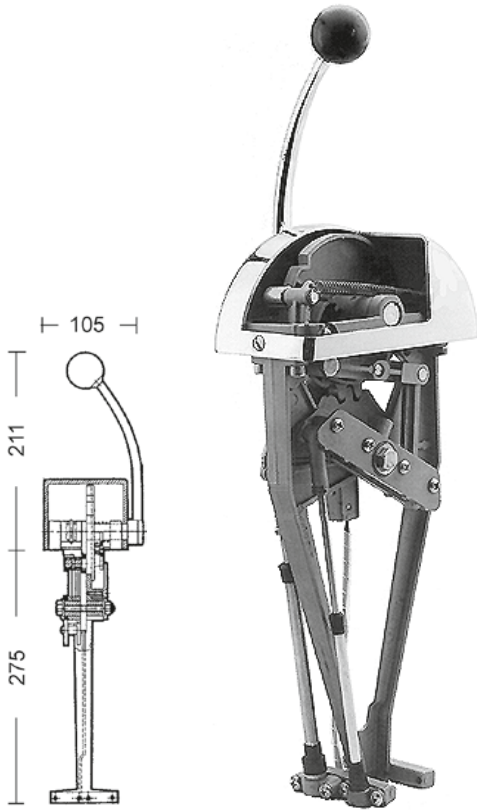


KOBELT

MODEL 2046

KOBELT-Schaltungen sind Spitzenqualität, konzipiert für die Berufsschifffahrt, erprobt und seit Jahrzehnten weltweit im Einsatz. Perfekt in Funktion und form-schön im Design, setzen die Schaltungen von KOBELT Maßstäbe. Alle Teile werden in einem von KOBELT entwickelten Druckgussverfahren aus Bronze im eigenen Haus gefertigt. Die Achsen und Verbindungselemente sind aus Edelstahl, alle sichtbaren Teile sind sorgfältig poliert oder verchromt.



TOPLICHT 4205-011
 KOBELT 2046-KU
 Innenaussicht • Bronze verchromt • Geschwungener Hebel

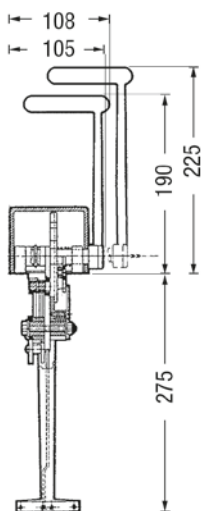
| TOPLICHT Art-Nr. | KOBELT Art-Nr. | Material Oberfläche | Hebel Ausführung |
|------------------|----------------|---------------------|--------------------|
| 4205-001 | 2046-LU | Bronze poliert | gebogen mit Knopf |
| 4205-011 | 2046-KU | Bronze verchromt | gebogen mit Knopf |
| 4205-002 | 2046-LY | Bronze poliert | gerade T-Form lang |
| 4205-012 | 2046-KY | Bronze verchromt | gerade T-Form lang |
| 4205-005 | 2046-LYX | Bronze poliert | gerade T-Form kurz |
| 4205-015 | 2046-KYX | Bronze verchromt | gerade T-Form kurz |

Einhebel - Pultschaltung KOBELT 2046 *single lever control*

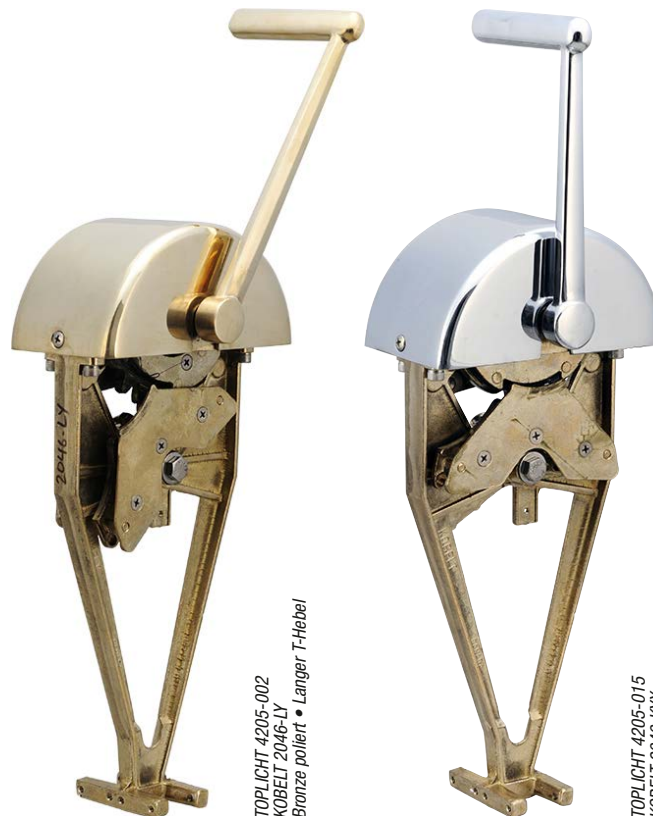
Pultschaltung, Bronze poliert oder verchromt. Einhebel- Schaltung für Schiffe mit einer Maschine. Drehzahl und Getriebe werden mit einem Hebel geschaltet. Zum Warmfahren der Maschine kann durch Herausziehen des Hebels die Drehzahlregulierung alleine betätigt werden.

Die Schaltwege sind bei dieser Schaltung verstellbar: Getriebe bis 75 mm, Drehzahl bis 40 mm. Geschwungener Bedienungshebel mit Knopf oder gerader Bedienungshebel mit geradem T-Endstück. Auch lieferbar mit kurzem T-Hebel.

Lieferung komplett mit Anschlusskits für Standard-Schaltkabel 33C mit zölligem Feingewinde 10-32 UNF. Anschlusskits für Schaltkabel 43C mit Gewinde 1/4"-28 UNF sind ebenfalls lieferbar.



TOPLICHT 4205-002
 KOBELT 2046-LY
 Bronze poliert • Langer T-Hebel



TOPLICHT 4205-015
 KOBELT 2046-KYX
 Bronze verchromt • Kurzer T-Hebel

Optionales Zubehör:
 Leerlauf-Sicherheitsschalter,
 Anbaukit Schaltwegverlängerung,
 Anbaukit für elektrische Getriebe.

KOBELT MANUFACTURING COMPANY LIMITED



Picture showing the curved handle option

MODEL 2046 MEDIUM DUTY, SINGLE LEVER CONTROL HEAD

The control head 2046 was made for a marine environment and to give the boat owner years of trouble-free service. Its compact and rugged design exceeds any competitive product in value and performance. The control handle will engage the gear in either direction before throttle acceleration takes place. In order to warm up the engine without gear engagement, the control handle is pulled away from the dome approximately 1/4". This will disengage the clutch mechanism and will allow engine acceleration. When the control handle is returned to neutral position, the clutch mechanism is automatically engaged. The control head also provides a small detent in the full throttle position in one direction (forward) only. This will prevent the engine from creeping back resulting in loss of RPM. By reversing the detent roller and spring assembly, the full speed detent can also be reversed.

The clutch travel is maximum 3" (76 mm) and throttle travel is maximum 1-5/8" (41 mm). An optional throttle stroke extension kit is available which will extend the stroke to 2-5/8" (67 mm) and contains all necessary parts to connect either a 33 or 43 series cable.

ORDERING INFORMATION

Model Designations:

- H - With one neutral safety switch
- K - With chrome finish cover and handle
- L - With polished brass finish cover and handle
- M - With black epoxy finish cover with chrome handle
- U - Curved handle
- V - T-bar handle with plastic grip
- Y - T-bar handle
- Z - With riveted metal labels

The standard model 2046 control head is supplied as follows:

- i. With chrome finish cover and handle
- ii. Without neutral safety switch

To order, state model number followed by Model Designation letter codes.

Example: A model 2046 control head with chrome finish would be 2046-K

Notes:

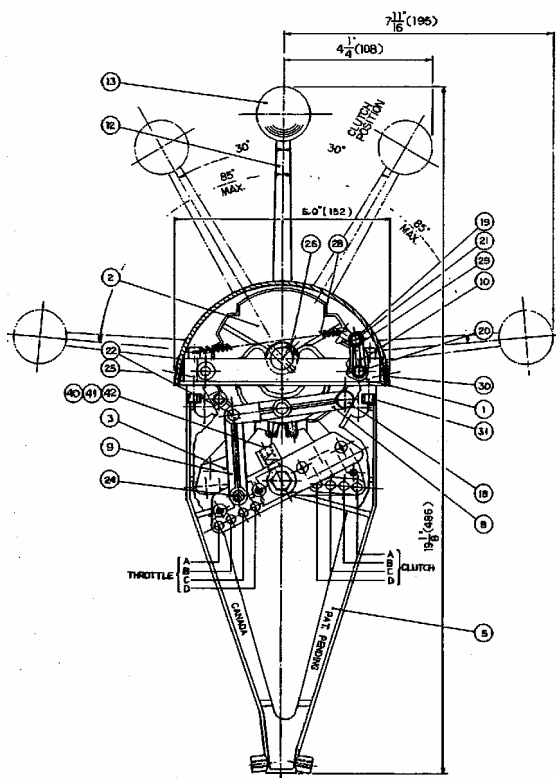
1. Riveted metal labels are available to indicate Neutral, Forward and Reverse positions, as well as the speed scales. To order, add "Z" to the Part No. for example 2046-KYZ
2. Cable connector kits are ordered separately. Each push pull cable end attached to the control head requires one kit.

Ordering Numbers:

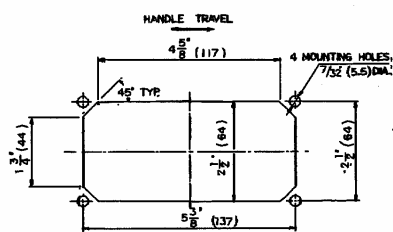
- 2046-0901 – #10-32 (30 series) connector kit
- 2046-0902 -- 1/4-28 (40 series) connector kit
- 2046-0903 – Neutral Safety Switch kit
- 2046-0905 – throttle extension kit (33 series cable)
- 2046-0906 -- throttle extension kit (43 series cable)

Weight: 7.5 lbs. (3.4 kg)

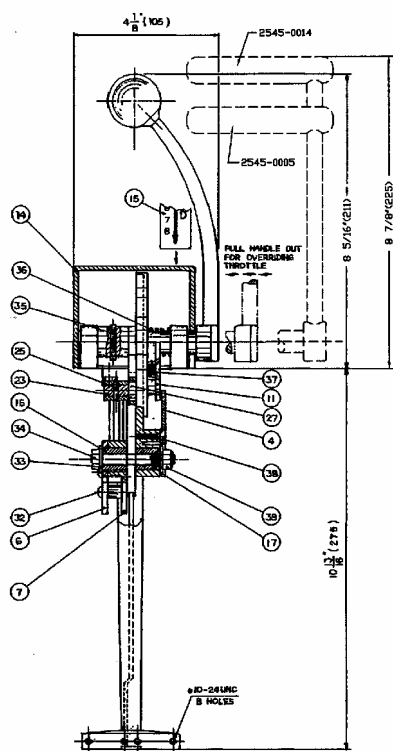
MODEL 2046



All dimensions in inches (mm)



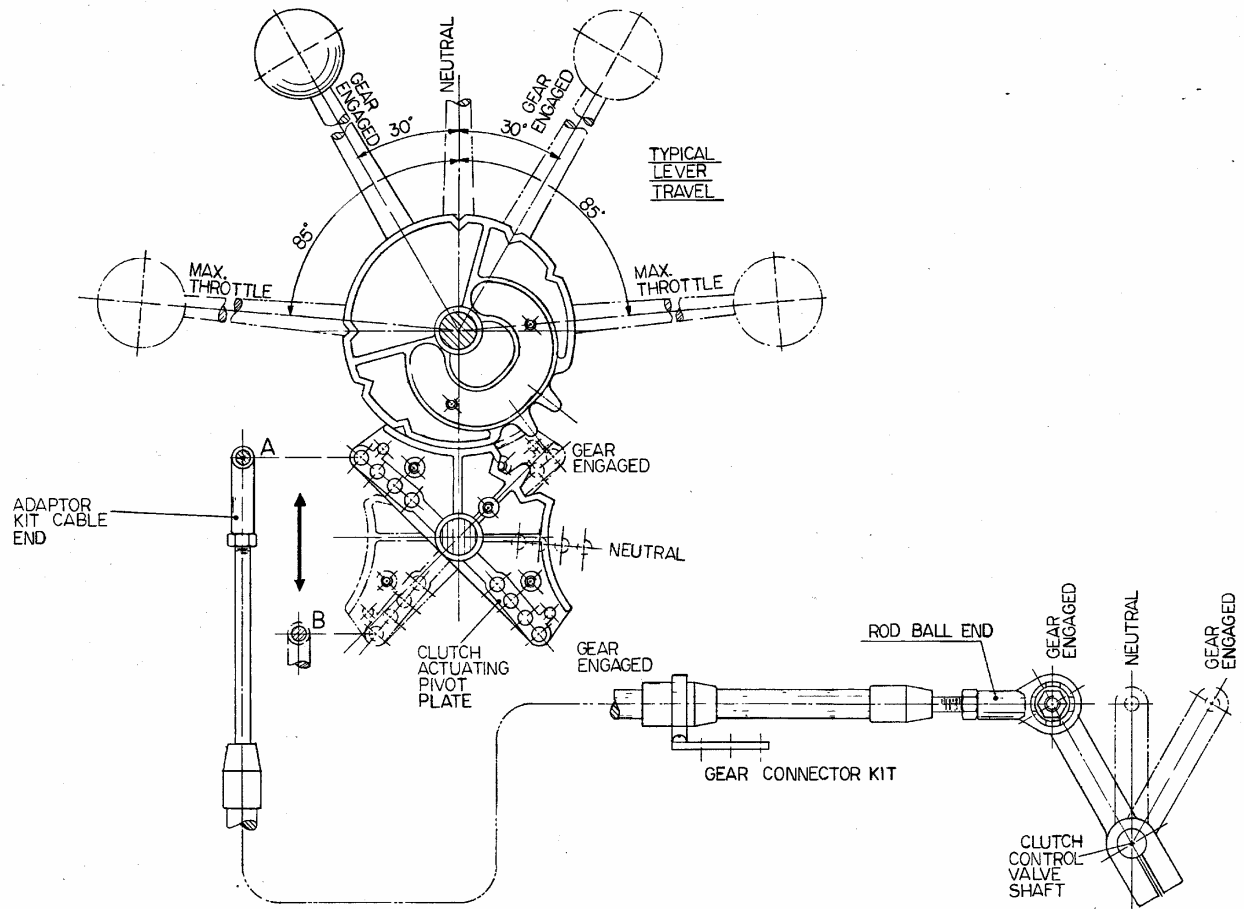
"OUT-OUT" DIMENSIONS



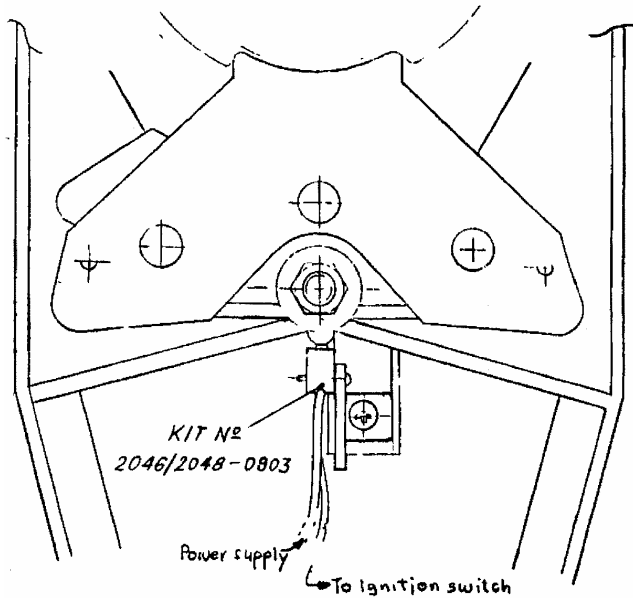
| ITEM | QTY | PART NUMBER | DESCRIPTION |
|------|-----|-------------|-----------------------------|
| 1 | 1 | 2046-0001 | Frame |
| 2 | 1 | 2046-0002 | Centre Cam |
| 3 | 1 | 2046-0003 | Pivot Cam |
| 4 | 1 | 2046-0004 | Retainer |
| 5 | 1 | 2046-0005 | Support |
| 6 | 1 | 2046-0006 | End Plate |
| 7 | 1 | 2046-0007 | Throttle Cam |
| 8 | 1 | 2046-0008 | Link No. 1 |
| 9 | 1 | 2046-0009 | Link No. 2 |
| 10 | 1 | 2046-0010 | Detent Lever |
| 11 | 1 | 2046-0011 | Cam Retainer |
| 12 | 1* | 2046-0012 | Curved Handle |
| 12 | 1* | 2545-0014 | Long Handle |
| 12 | 1* | 2545-0005 | Short Handle |
| 12 | 1* | 2545-2014 | Long Handle (Plastic Grip) |
| 12 | 1* | 2545-2005 | Short Handle (Plastic Grip) |
| 13 | 1* | 2030-0001 | Knob |
| 14 | 1 | 2004-0002 | Dome |
| 15 | 1* | 2046-0115 | Label |
| 16 | 1 | 2046-0016 | Throttle Bushing |
| 17 | 1 | 2046-0017 | Clutch Bushing |
| 18 | 1 | 2046-0018 | Shoulder Bolt |
| 19 | 1 | 2048-0019 | Roller |
| 20 | 1 | 2046-0020 | Frame Pin |
| 21 | 1 | 2046-0020 | Detent Link Pin |
| 22 | 1 | 2046-0022 | Link Pin |
| 23 | 1 | 2046-0023 | Link Solid Pin |
| 24 | 1 | 2046-0024 | Pivot Plate Pin |
| 25 | 2 | 1024-0510 | Spring Pin |
| 26 | 1 | 1016-0804 | Set Screw |
| 27 | 1 | 2046-0027 | Throttle Roller |
| 28 | 1 | 1202-0001 | Spring |
| 29 | 2 | 1029-1025 | Snap Ring |
| 30 | 2 | 1011-0808 | Oval Hd Phillips Cap Screw |
| 31 | 4 | 1002-1010 | Socket Head Cap Screw |
| 32 | 4 | 1010-0806 | Rd. Hd Phillips Cap Screw |
| 33 | 2 | 1023-0237 | Washer |
| 34 | 1 | 1001-1136 | Hex Head Cap Screw |
| 35 | 1 | 1024-0816 | Spring Pin |
| 36 | 1 | 1201-0108 | Spring |
| 37 | 2 | 1009-0806 | Flat Hd Phillips Cap Screw |
| 38 | 3 | 1009-0808 | Flat Hd Phillips Cap Screw |
| 39 | 1 | 1022-0311 | Lock Nut |
| 40 | 1 | 1016-1204 | Set Screw |
| 41 | 1 | 1201-0002 | Spring |
| 42 | 1 | 2542-0008 | Friction Pad |
| 43 | 2 | 1029-2025 | Snap Ring |

* Quantity varies with options

How to Install Push Pull Cables on Model 2046



2046, 2048 Connection Kits Installation

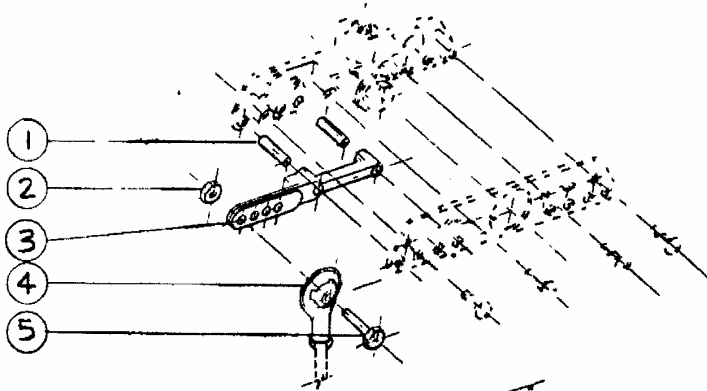


Micro switch (2046-0903) Installation

PRECAUTION: Make sure the switch is installed correctly that the contact and lever is aligned properly with the strike arm and is free from external interference.

Throttle Extension Kit Installation (2046-0905)

| Item | Qty | Description |
|------|-----|----------------------------------|
| 1 | 2 | Pin |
| 2 | 1 | Nut (#10-24) |
| 3 | 1 | Lever |
| 4 | 1 | Rod End |
| 5 | 1 | Hex Head Screw (#10-24 x 7/8") |
| 6 | 1 | Bracket |
| 7 | 4 | Round Head Screw (#10-24 x 1/2") |
| 8 | 1 | Clamp |
| 9 | - | - |



Throttle Extension Kit Installation (2046-0906)

| Item | Qty | Description |
|------|-----|----------------------------------|
| 1 | 2 | Pin |
| 2 | 1 | Nut (#10-24) |
| 3 | 1 | Lever |
| 4 | 1 | Rod End |
| 5 | 1 | Hex Head Screw (#10-24 x 7/8") |
| 6 | 1 | Bracket |
| 7 | 2 | Round Head Screw (#10-24 x 1/2") |
| 8 | 1 | Clamp |
| 9 | 2 | Round Head Screw (#10-24 x 7/8") |

