

MODEL 2002 TWIN HANDLE PUSH PULL CONTROL HEAD

DESCRIPTION

Our Model 2002 is designed for small workboat and pleasure craft, for single or multi-station control of engine speed and gear box direction. Its rugged design, simplicity in construction and quality of materials (brass and stainless steel hardware) will give years of trouble-free service with the minimum investment.

The throttle lever can only be moved with the gear control in either neutral, forward or reverse position. This feature will protect the gear box, since the engine must be at idle for clutch shifting.

ORDERING INFORMATION

Model Designations:

- K - with chrome finish body and handle
- L - cast brass body and handle
- S - right hand model
- T - left hand model

The standard Model 2002 Control Head is supplied as follows:

- (i) cast brass body and handles,
- (ii) one short handle with friction (throttle) and one long handle with detent (clutch),
- (iii) right hand model.

To order, state Model number, followed by the Designation letter codes.

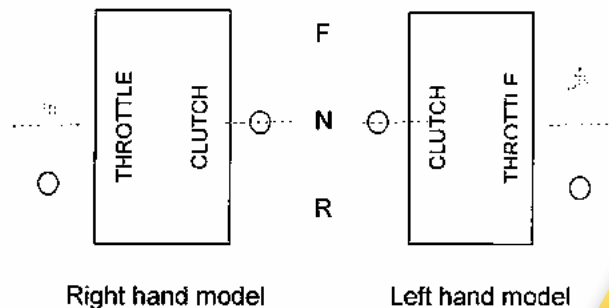
Example: 2002-LT is for Model 2002 Control Head with cast brass finish and left hand model.

NOTE:

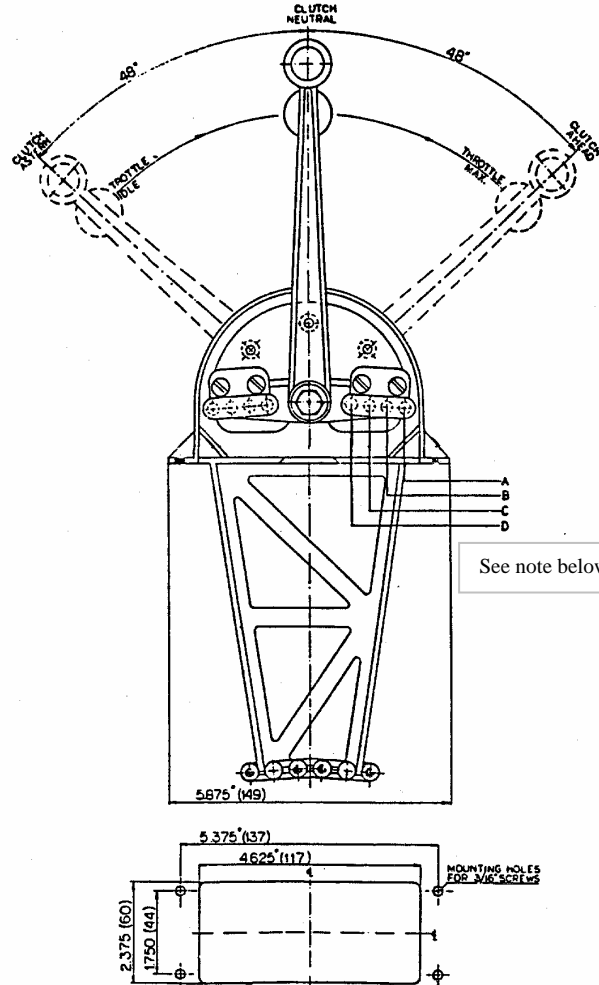
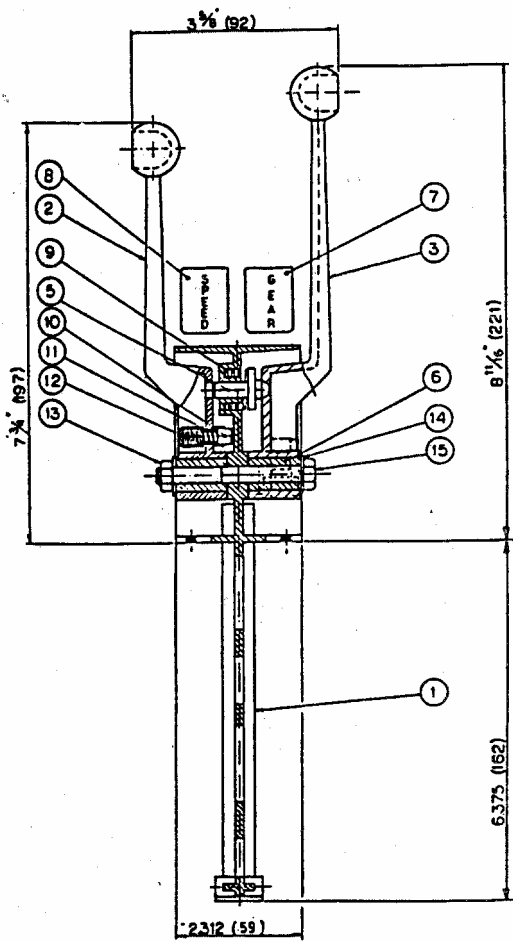
Cable connector kits are ordered separately. Each push pull cable end attached to the control head requires one kit.

Ordering numbers for Connection Kits:

- 2002-0901 No. 10-32 (30 series) Connection Kit
- 2002-0902 1/4-28 (40 series) Connection Kit



DIMENSIONS AND PARTS LIST MODEL 2002



All Dimensions in inches (mm)

Item	Qty	Part Number	Description
1	1	2002-0001	Body
2	1	2002-0002	Throttle Handle
3	1	2002-0003	Clutch Handle
5	1	2002-0005	Detent
6	2	2002-0006	Bushing
7	1	2002-0007	Clutch Scale Plate
8	1	2002-0008	Throttle Scale Plate
9	1	1201-0071	Spring
10	1	2542-0008	Friction Block
11	1	1201-0003	Spring
12	1	1016-1204	Set Screw
13	1	1022-0311	Nut
14	2	1023-0111	Flat Washer
15	1	1001-1144	Hex Cap Screw
	*	1009-0808	Screw
	*	2003-0004	Clamp Plate

* supplied with cable kit

NOTES:

Maximum strokes available for hole

- A - 3" (76mm)
- B - 2 7/16" (62 mm)
- C - 1 7/8" (48 mm)
- D - 1 5/16" (33 mm)