

## SHURFLO LO FLO (SINGLE FIXTURE)

### RV/MARINE FRESH WATER PUMP – PRODUCT TECHNICAL DATA SHEET

OEM: 105-003  
AFTERMARKET: 105-013

---



#### APPLICATION:

Single-fixture RV/Marine fresh water pump installation. Other uses may include 12V DC pressurize water systems in cabins. This pump may be used for general fresh water transfer

#### PUMP DESIGN:

Type: 3 Chamber Diaphragm pump  
Ports: 3/8" Barb  
Liquid: 130°F [54°C] Max  
Dry-Prime: 2.5 feet [76 cm]  
Inlet PSI: 0 PSI [0 Bar]  
Run Dry: 2 Minutes

#### ELECTRICAL:

Motor: 12V DC Permanent Magnet, Intermittent Duty  
Protection: Thermal Overload, Automatic Restart  
Leads: 18 AWG, 6" [15 cm] Red +, 6" [15 cm] Black  
Fuse: 5 Amp Recommended  
Control: Shut-Off 30 PSI [2.1 Bar]  
Re-start 5 PSI [0.3 Bar]

No Repair Kits Available

#### MATERIALS OF CONSTRUCTION:

Housings: Polypropylene  
Valves/Seals: EPDM  
Diaphragm: Santoprene  
Hardware: Stainless Steel and Zinc Plated Steel

#### AGENCY APPROVALS:

Ignition Protection 8846, CE, IMCI Certified

#### SHIPPING INFORMATION:

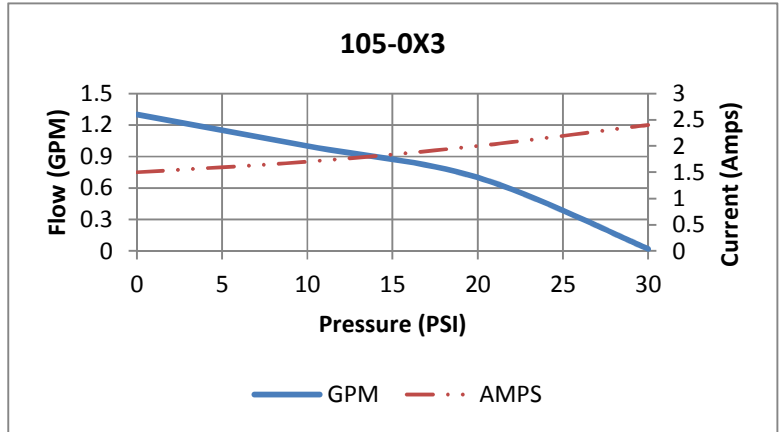
Approx. Net Weight: 1.25 Pounds [0.57 Kg] ea.  
Carton Qty.: 24  
Approx. Carton Weight: 35 Lbs. [15.9 Kg]  
Approx. Carton Size: 24"L X 18"W X 6"H [61cm x 46cm x 15cm]

**RELATED DOCUMENTS:**

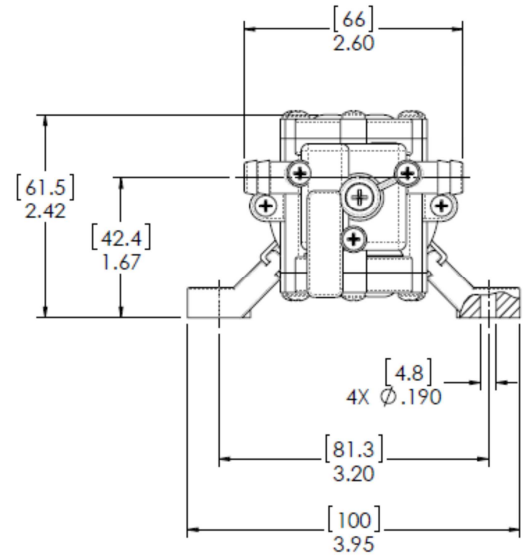
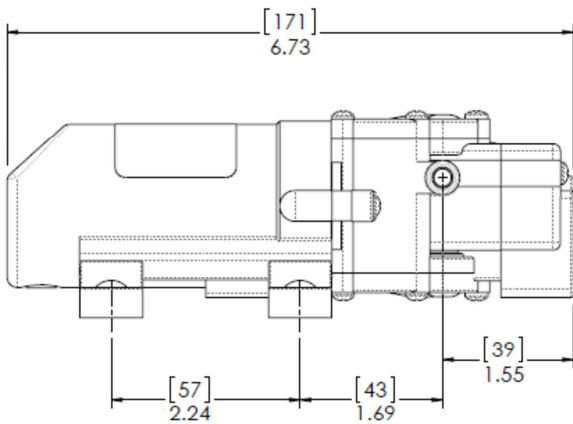
Catalog: MS-030-138 / MS-030-140  
 Application Spec Guide: MS-020-005  
 Installation Manual: 911-585  
 Aftermarket Warranty: 911-1045

**TYPICAL PERFORMANCE AT 12V**

PRESSURE		FLOW		CURRENT
BAR	PSI	GPM	LPM	AMPS
0	0	1.3	4.9	1.5
0.7	10	1.0	3.7	1.7
1.4	20	0.7	2.6	2.0
2.1	30	0.2	0.7	2.4



**DIMENSIONS**



**WATER PURIFICATION**

3545 Harbor Gateway South, Suite 103, Costa Mesa, CA 92626, (800) 854-3218 www.SHURFLO.com

All Pentair trademarks and logos are owned by Pentair, Inc. All other brand or product names are trademarks or registered marks of their respective owners. Because we are continuously improving our products and services, Pentair reserves the right to change specifications without prior notice. Pentair is an equal opportunity employer.

# SHURFLO® LO-FLO 105 SERIES RV PUMPS

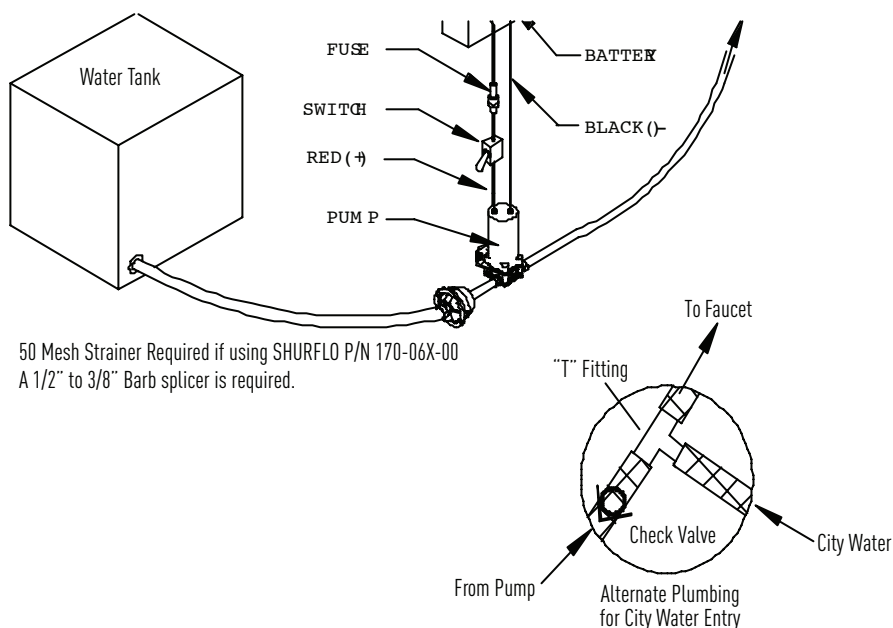
## INSTALLATION MANUAL

SHURFLO Lo-Flo 105 Series RV pumps are rugged, lightweight, compact and provide the ability to self-prime and run dry. Standard features include a pressure demand switch, built in 3/8" hose barb ports, flexible mounting feet, splash proof motor, and thermal protector. All with the security that comes with a UL Recognized Component.

### INSTALLATION

SHURFLO Lo-Flo 105 Series RV pumps are self-priming and can be located up to 2.5 feet above the water level. Horizontal and vertical prime vary depending on the fluid viscosity and pump configuration. The pump can be at the same level or below the tank.

- The pump should be located in an area that is dry and properly ventilated to prevent heat build-up.
- Use 50-mesh strainer minimum at the inlet side of the pump. Use flexible hose on inlet.
- The pump can be mounted in any position. However, if mounting the pump vertically the pump head should be in the down position so that in the event of a leak, fluid will not enter the motor.
- 12 Volt pump must be provided with a 5-amp fuse.
- Recommended wire size is 16 gauge (1.3 mm) or larger wire as determined by voltage drop. Negative (-) must be connected to a known ground. Ground wire must be the same (gauge/mm) as the positive.



### TROUBLESHOOTING

#### PUMP WILL NOT START

- ✓ For correct voltage (+10%) and electrical connections
- ✓ Fuse or breaker
- ✓ Pressure switch operation and correct voltage at switch
- ✓ Rectifier or motor for open or grounded circuit
- ✓ For locked drive assembly

#### PUMP WILL NOT PRIME (No Discharge/Motor Runs)

- ✓ Strainer for debris
- ✓ Inlet/Outlet tube severely restricted (kinked)
- ✓ Inlet /Outlet valves for debris or swelling

#### PUMP WILL NOT SHUT-OFF

- ✓ Output line closed and no leaks
- ✓ For air trapped in outlet line or pump head
- ✓ For correct voltage to pump
- ✓ Debris in pump Inlet/Outlet valves
- ✓ For loose drive assembly or pump head screws
- ✓ Pressure switch operation/adjustment

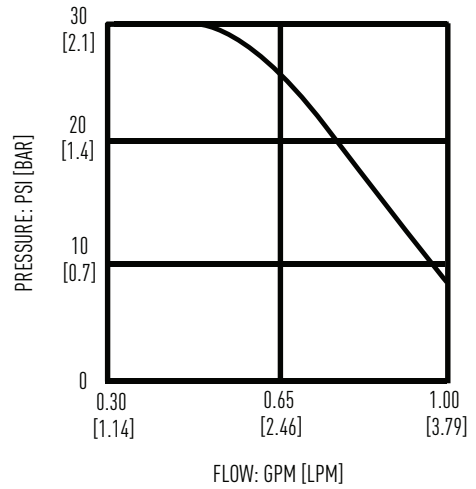
#### LEAKS FROM PUMP HEAD OR SWITCH

- ✓ For loose screws at switch or pump head
- ✓ Switch diaphragm ruptured or pinched
- ✓ For punctured diaphragm if fluid is present at drain holes

Plumbing Systems can vary.  
Consult SHURFLO for detailed information.

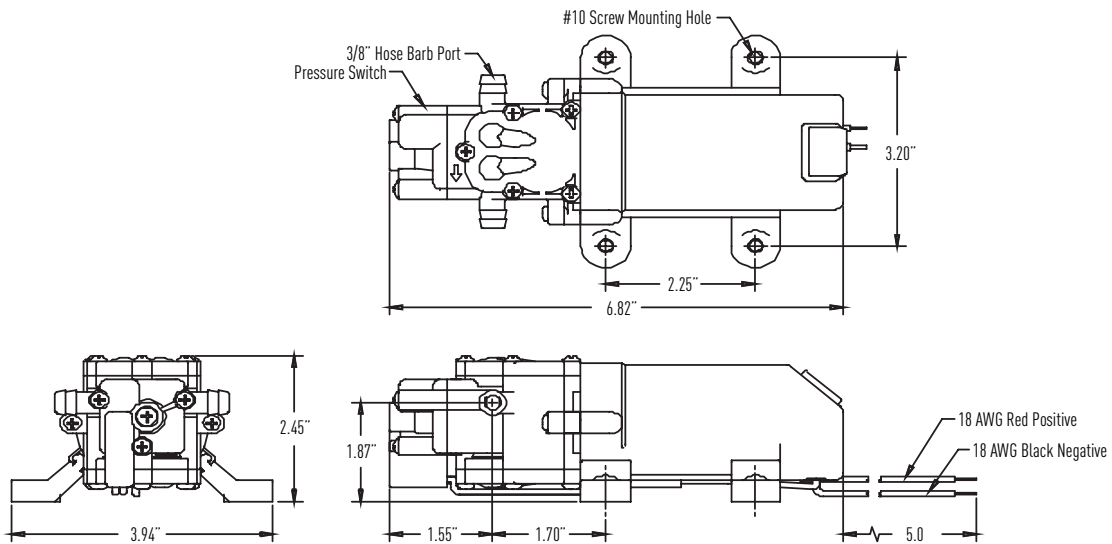
## PRODUCT SPECIFICATIONS

<b>Model Number:</b>	105 Series
<b>Pump Design:</b>	Positive Displacement Pump
<b>Motor:</b>	Placement Magnet, 11-262-00
<b>Voltage:</b>	12 VDC
<b>Pressure Switch:</b>	Factory Set: 30 PSI Shut-off, Turn-on 25+/- 5 PSI
<b>Liquid Temperature:</b>	100° Max F [43° C]
<b>Prime:</b>	Self Priming up to 2.5 ft. vertical
<b>Ports:</b>	3/8" Barb
<b>Net Weight:</b>	1.27 lbs.
<b>Duty Cycle:</b>	Intermittent
<b>Max Amps:</b>	105-003, 2.5 Amps @ 30 PSI



## MATERIALS OF CONSTRUCTION

<b>Motor Housing:</b>	Nylon
<b>Plastic:</b>	Polypropylene
<b>Valves:</b>	EPDM
<b>Diaphragm:</b>	Santoprene
<b>Fasteners:</b>	Zinc Plated / Stainless Steel



### WATER PURIFICATION

3545 HARBOR GATEWAY SOUTH, SUITE 103, COSTA MESA, CA 92626, (800) 854-3218 WWW.SHURFLO.COM

All Pentair trademarks and logos are owned by Pentair, Inc. All other brand or product names are trademarks or registered marks of their respective owners. Because we are continuously improving our products and services, Pentair reserves the right to change specifications without prior notice. Pentair is an equal opportunity employer.