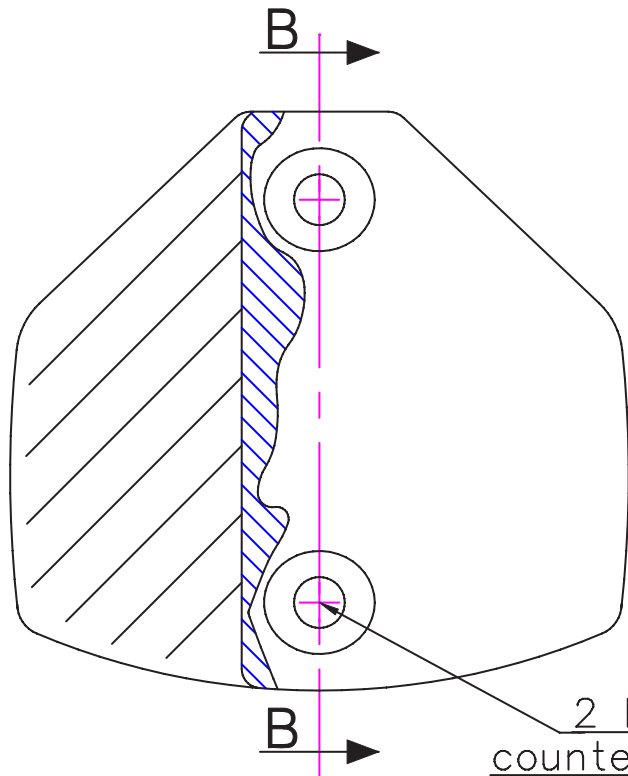
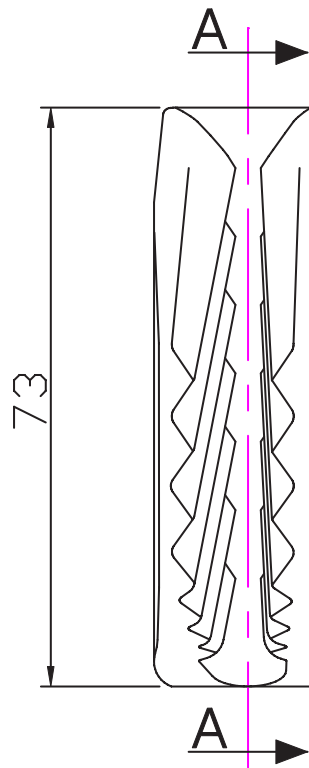
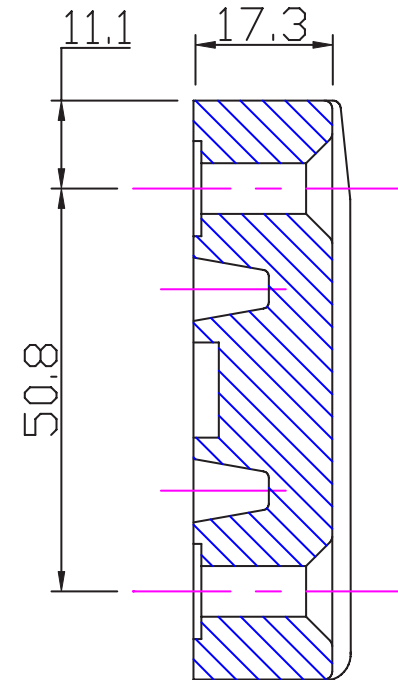


Section 'BB'



2 Holes  $\phi 6.5$   
 countersunk  $\phi 13 \times 90^\circ$



Part Section 'AA'



Clamcleats Limited  
 Watchmead  
 Welwyn Garden City  
 Hertfordshire AL7 1AP  
 England

Telephone +44 (0)1707 330101  
 Fax +44 (0)1707 321269  
<http://www.clamcleat-rope-cleats.com>



Scale 1:1  
 All dimensions in mm.

Issue: 2. May 2006  
 ID202.dwg

Material:  
 Nylon

Installation Drawing for: -

**CL202**

Horizontal