



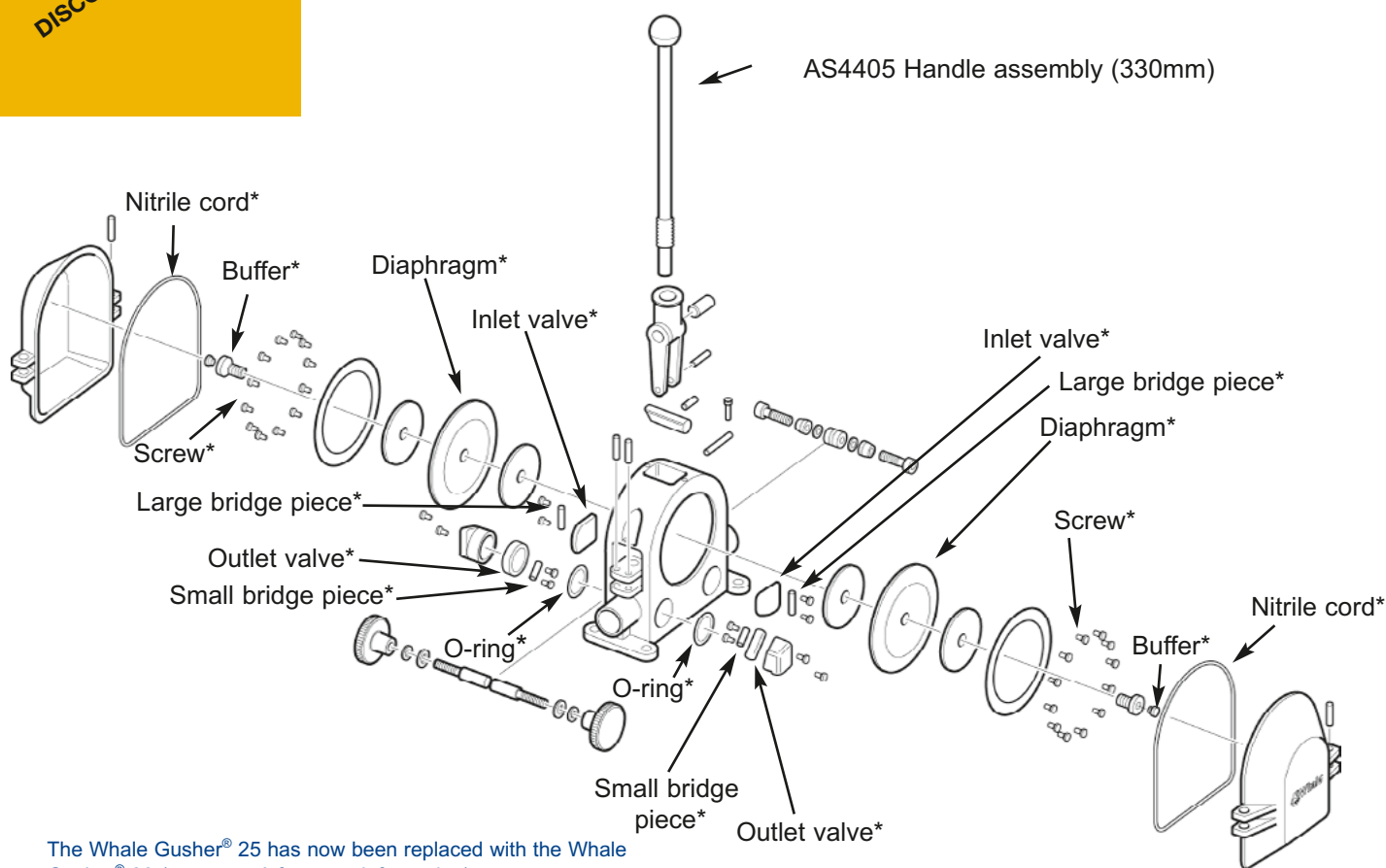
Manual Bilge Pumps

Gusher® 25 Pump

Whale Gusher 25 Pump (discontinued in 1989)

Note* Contained in Service Kit AK3528

PRODUCT
DISCONTINUED



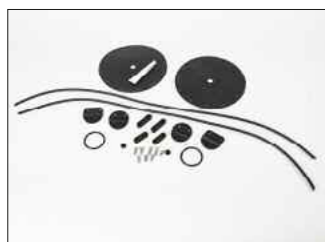
The Whale Gusher® 25 has now been replaced with the Whale Gusher® 30 (see page 9 for more information):
On Deck: BP3000, On Bulkhead: BP3010, Thru Deck: BP3020

Service Kits

AK3528 Service Kit with Complete Set of Serviceable Parts for Whale Gusher® 25 (Nitrile®)

Qty	Containing
1	Tube of adhesive
2	Buffer
2	Outlet valve
2	O-ring
2	Nitrile cord
2	Inlet valve
4	Screw 2BA
2	Small bridge piece
2	Diaphragm (Nitrile)
2	Large bridge piece

AS4405 Handle Assembly s/s with Lanyard (330mm)



AK3528



AS4405