

Whale's long life diecast alloy range

Gusher® 30

GUSHER 30 is our largest capacity manual bilge pump. Manufactured by hand using high grade materials based on more than 60 years experience. The heavy duty Gusher 30 is ideal when long term durability and high performance is vital.



Thru Deck
BP3020



On Bulkhead
BP3010

Long term reliability
fully protected diaphragms

Product code: see table



Ease of use
easy grip handle

Ease of operation
extra long handle

Robust design
corrosion resistant, powder-coated,
die-cast aluminium alloy

Simple plumbing
38mm (1½")
hose connections

Efficiency
high capacity double acting pump

Features and Benefits

- Maximum output
 - Delivering over 117 ltrs (31 US gals) per minute
- Efficient operation
 - Double acting pumps on both to and fro strokes
- Reliability
 - Twin diaphragms ensure pump continues working if one is damaged
- Durability
 - Powder coated diecast aluminium alloy
- Pumps oily bilge water
- No tools required for inspection and cleaning
- 3 mounting options
 - Available for deck, bulkhead or underdeck mount

5 Year Warranty

Tips

It is important to ensure that a vented anti-syphon loop is incorporated in the system

Awards and Accreditations

- Pump accepted on some vessels for use as an emergency fire pump
- Suitable as a primary bilge pump on boats equal to or greater than 12 m (40ft) in accordance with ISO15083



Life Boats Approval

- Approved by Lloyds (MCA) and USCG

COMPLETE YOUR SYSTEM

Whale high quality bilge accessories including non-return valves, elbows and Y pieces see page 48 - 51



Product Information

Model Specifications

Model Product Code	On Deck BP3000	On Bulkhead BP3010	Thru Deck Only BP3020
Hose Connections	38 mm (1 1/2") Hose Connections		
Weight	5.05 kg (11.1 lbs)		5.9 kg (13 lbs)
Materials	Pump Body: Marine Grade LM6 Aluminium Alloy (epoxy coated) Diaphragm: Neoprene, Bushes: Acetal, Handwheels: Nylon Fasteners: Stainless Steel		
Materials In Contact With Fluid	Marine Grade LM6 Aluminium Alloy (epoxy coated) Nitrile* Stainless Steel		
Service Kit	AK3051 - Service Kit for Gusher® 30 Contains: Diaphragms, Valves, Gasket AS3725 - Gaiter Kit - for use with BP3020 AS3016 - Handwheel / stud kit AS3015 - Lever Assembly		
Accessories	AS3095 - Spare Handle DP3804 Deckplate, AS3020 Deckplate Conversion Kit		
Maximum Suction Lift		4 m (13.5 ft)	
Maximum Discharge Head		4 m (13.5 ft)	

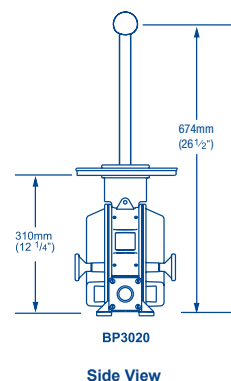
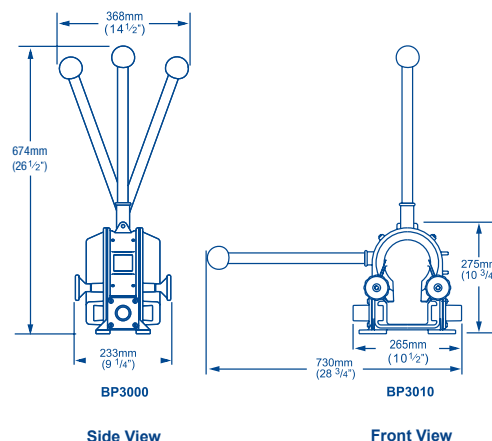
Performance Data

	BP3000 / BP3010 BP3020	BP3000 / BP3010 BP3020	BP3000 / BP3010 BP3020
Suction Lift	0	1 m (3 ft)	2 m (6 ft)
Discharge Head	0.5 m (1.5 ft)	0.5 m (1.5 ft)	0.5 m (1.5 ft)
45 Strokes per Minute	75 ltrs (20 US gals)	71 ltrs (19 US gals)	71 ltrs (19 US gals)
70 Strokes per Minute	117 ltrs (31 US gals)	111 ltrs (29 US gals)	111 ltrs (29 US gals)

Note: These specifications are retail items only.

For details of our bulk pack range for boat builders and wholesalers - contact Whale Support.

* If Neoprene diaphragm require please contact Whale Support





Manual Bilge Pumps

Gusher® 30 Pump

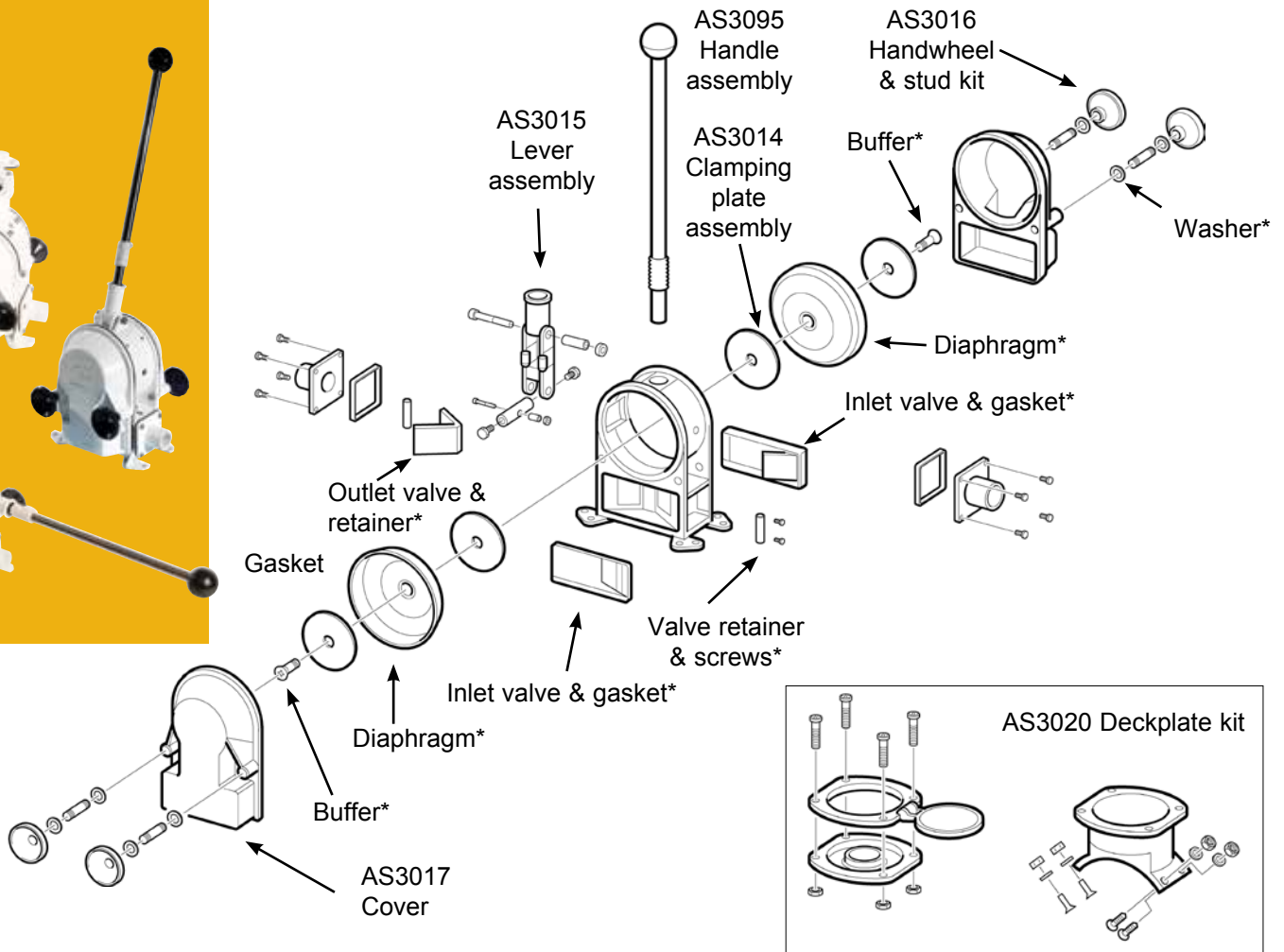
On Deck: BP3000, On Bulkhead: BP3010, Thru Deck: BP3020

Largest Capacity Manual Bilge Pump in the Whale Range



CURRENT MODEL

Note* Contained in Service Kit AK3051



Accessories

AS3020 Deckplate Kit Assembly

AS3095 Spare Handle

DP3804 Deckplate

Service Kits

AK3051 Service Kit of Serviceable Parts for Whale Gusher® 30

Qty	Containing
2	Screw No 6x1 1/4"
2	Diaphragm
2	Inlet valve & gasket
1	Outlet valve
2	Valve retainer
2	Valve chamber gasket
4	Washer nylon M10
2	Buffer

AS3015 Lever Assembly

Qty	Containing
1	Fork insert
1	Lever
2	Lever bush
2	Buffer
1	Nylon nut M6
1	Nylon nut M8
2	Clamping screw
1	Connecting rod
1	Connecting rod bush
1	Lever bush
1	Lever fulcrum bolt
1	Body fulcrum bolt

AS3016 Handwheel & Stud Kit

Qty	Containing
2	Nylon nut M8
2	Stud
2	Washer nylon M10
2	Hand wheel nut

AS3017 Cover Gusher® 30

Qty	Containing
1	Cover



Manual Bilge Pumps

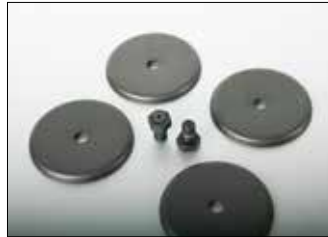
Gusher® 30 Pump

On Deck: BP3000, On Bulkhead: BP3010, Thru Deck: BP3020

Largest Capacity Manual Bilge Pump in the Whale Range



AK3051



AS3014



AS3015



AS3016



AS3017



AS3020



AS3095



AS3725



DP3804

Service Kits (Continued)

AS3725 Gaiter Kit for Deckplates

Qty	Containing
1	Gaiter (for metal or plastic deckplate)
1	O-ring (for metal deckplate)

AS3020 Deckplate Kit Assembly

Qty	Containing
4	Nut M6
1	Lid
1	Deckplate
1	O-ring (deckplate lid)
1	Nyloc nut M6
1	Gaiter
1	Underdeck bracket
4	Screw HEX HD M6x20
4	Screw M6x50

AS3014 Clamping Plate Kit

Qty	Containing
4	Clamping plates
2	Clamping screws
2	Buffers

AS3095 Handle Assembly (Standard) s/s 450mm



Whale Gusher® 30 Pump

BP3000 / BP3010 / BP3020

INSTALLATION & USER INSTRUCTIONS

Thank you for purchasing this Whale® product.

For over 60 years Whale® has led the way in the design and manufacturer of water and waste systems including:- plumbing, faucets, showers and pumps for low voltage applications. The company and its products have built a reputation for quality, reliability and innovation backed up by excellent customer service.

For information on our full product range visit: www.whalepumps.com

CONTENTS

1. Principles of Operation
2. Specification
3. Application
4. Warnings
5. Parts List
6. Optional Extras
7. Installation
8. Plumbing
9. Maintenance
10. Trouble Shooting
11. Winterising
12. Service Support Details
13. EU Declaration of Conformity
14. Patents and Trademarks
15. Warranty

LIST OF IMAGES

- | | |
|--------|------------------------------|
| Fig. 1 | Through-deck installation |
| Fig. 2 | Incorrect installation |
| Fig. 3 | Typical installation diagram |
| Fig. 4 | Underdeck installation |
| Fig. 5 | Exploded diagram |

Read the following carefully before installation

To the Fitter:

Check that the product is suitable for the intended application. Follow these installation instructions and ensure all relevant personnel read the points listed below. Also ensure that these operating instructions are passed on to the end user. The manufacturer cannot be held responsible for claims arising from incorrect installation, unauthorised modification or misuse of the product.

To the User:

Read the following instructions carefully.

1. PRINCIPLES OF OPERATION

This bilge pump is designed to exhaust standing water only. The double acting pump chamber design of the Gusher® 30 ensures highly efficient throughput with an easy pumping action. Full even strokes will obtain the best results. The detachable handle is fitted with a lanyard and should be safely secured close to the pump.


2. SPECIFICATION

Model	On Deck	On Bulkhead	Thru Deck Only
Product Code	BP3000	BP3010	BP3020
Hose Connections	38 mm (1 1/2") Hose Connections		
Weight	5.05 kg (11.1 lbs)		5.9 kg (13lbs)
Materials	Pump Body: Marine Grade LM6 Aluminium Alloy (epoxy coated). Diaphragm: Neoprene, Brushes: Acetal, Handwheels: Nylon, Fasteners: Stainless Steel		
Materials In Contact With Fluid	Marine Grade LM6 Aluminium Alloy (epoxy coated). Neoprene, Stainless Steel		
Service Kit	AK3051 - Service Kit for Gusher® 30 Contains: Diaphragms, Valves, Gasket AK3020 - Thru Deck Conversion Kit (for BP3000 includes DP3804 and bridge section) AS3725 - Gaiter Kit for use with BP3020 AS3016 - Handwheel / Stud Kit AS3015 - Lever Assembly		
Accessories	AS3095 Spare Handle DP3804 Deckplate, AS3020 Deckplate Conversion Kit		
Maximum Suction Lift	4 m (13.5ft)		
Maximum Discharge Head	4 m (13.5ft)		
45 Strokes per Minute	75 ltrs (20 US gals)	71 ltrs (19 US gals)	71 ltrs (19 US gals)
70 Strokes per Minute	117 ltrs (31 US gals)	111 ltrs (29 US gals)	111 ltrs (29 US gals)

3. APPLICATION

This bilge pump is suitable as a primary bilge pump on boats equal to or greater than 12m (40ft). Output capacity depends on installation, conditions during use and pumping rate. Users should be aware that capacity may not be sufficient to cope with rapid influx of water. If it is intended for any other purpose or for use with any other liquid, it is the user's responsibility to ensure that the pump is suitable for the intended use and, in particular, that the materials are fully compatible with the liquids to be used.

4. WARNINGS

- 
- The pump is designed to evacuate standing bilge water only. Bilge pump capacities may not be sufficient to prevent flooding from rapid accumulation of water due to storms, rough weather and/ or rapid leaks created by hull damage and or unsafe navigational conditions.
 - Fitting an inlet strainer will ensure the maximum efficiency of the pump.
 - This pump **must not** be mounted below the water line when connected to an intake or outlet unless the system has a vented loop (next page see Fig 3 - Typical installation diagram).
 - **Not** suitable for pumping flammable liquids, diesel, chemicals etc. Suitable for bilge water only.
 - With all applications, it is important that a system of safe working practice is applied to installation, use and maintenance. Ensure the waste water system is drained before installation. In order to securely fasten the

unit, ensure that the mounting surface is a minimum thickness of 18mm ($\frac{45}{64}$ ") as shown in Fig. 4

- **NOTE Do not** screw directly to the hull - must be mounted on a bulkhead or on an additional board.

5. PARTS LIST

BP3000 / BP3010 / BP3020

1 x Gusher® 30 pump

1 x Stainless steel handle

AK3020 - Through Deck Conversion Kit for all 3 models (BP3000 / BP3010 / BP3020)

(BP3000 includes DP3804 and Underdeck Bracket)

6. OPTIONAL EXTRAS

SF5425 - 1 1/2" (38mm) Plastic Skinfitting

SB5865 / SB4222 - Top or Side Entry Strainer / Strumbox

DV5606 - 1 1/2" (38mm) 2 Way Diverter Valve

AK3051 - Service Kit (contains diaphragms, valves and gasket)

AS3015 - Lever Assembly Service Kit

AS3725 - Gaiter Kit (for BP3020)

AS3016 - Handwheel/Stud Kit

YP6114 - 1 1/2" (38mm) Y Piece

AS3020 - Deckplate Conversion Kit

AS3095 - Spare Handle

DP3804 - Metal Deckplate & Lid

7. INSTALLATION

Fig. 1 Through deck installation



Fig. 2 Incorrect installation

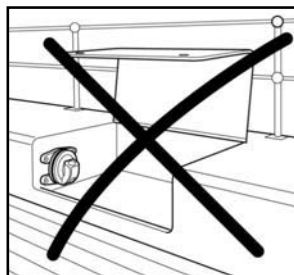
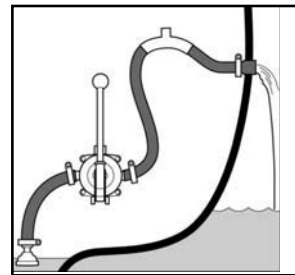


Fig 3 - Typical installation diagram



Please note that incorrect installation may invalidate the warranty.

The Gusher® 30 is designed for mounting on deck or through deck (BP3000), or on deck (BP3010) or through bulkhead (BP3020).

N.B. The pump **must be** installed above the waterline.

Choose a position to mount the pump that is dry and away from standing water and is free from obstacles, where the pump can be operated efficiently and comfortably. Ensure that the pump is installed to allow easy access for servicing.

Avoid installation locations which require a cockpit locker to be opened in order to operate the pump.

To minimise pumping effort, site the pump halfway (in height) between the strumbox / strainer and hull outlet. Mount in a position with the shortest run lengths possible.

To ensure good priming and flow, avoid sharp bends in pipework and fit a Whale strumbox / strainer (Part number SB3422 / SB4222 / SB5865 (incorporating a non-return valve)) in order to prevent the end of the hose sucking against a flat surface and therefore allowing the water level to be reduced to a minimum.

7.A. For Mounting On Deck/Bulkhead:

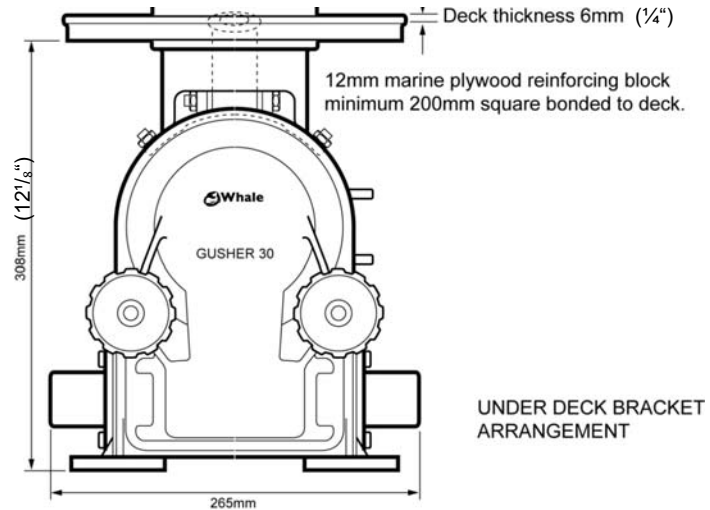
1. Use pump as a template, mark off and drill four $\frac{1}{4}$ " (6mm) holes. (Note. if replacing a Gusher® 25 the mounting holes are the same).
2. Secure the pump with $\frac{5}{16}$ " (8mm) bolts.
3. Attach either 1 1/2" (38mm) smooth bore reinforced hose with stainless steel worm drive hose clips. Ensure tight connections. **NOTE:** Do not overtighten screws or hoseclips.
4. It is recommended that the outlet is mounted above the water line and anti-syphon loops are fitted where applicable.

5. Check the installation for air leaks, correct priming and discharge.

7.B. For Mounting Underdeck or Thru Bulkhead:

1. Using template mark off the four holes for the deck-plate and cut out the hole for the pump handle.
2. The deck thickness **must be** a minimum of 18mm ($\frac{45}{64}$ "). For thinner decks use a backing plate 8" (200mm) square of suitable thickness so that the backing plate plus the deck is at least the minimum thickness (stated above). Bond this to the deck (see Fig. 4).
3. Position pump under deck and check flow direction. Work the rubber gaiter up through the hole until its flange rests on the deck. Secure the six $\frac{1}{4}$ " (6mm) countersunk mounting screws provided.
4. As points 3 - 5 of Section 7.A.

Fig. 4 Underdeck installation



8. PLUMBING

Use 38mm ($1\frac{1}{2}$ ") smooth bore reinforced pipework to connect to the pump.

Secure the pipework on inlet and outlet with worm drive hose clip.

This Whale Gusher® 30 is designed to only require minimal maintenance.

9. MAINTENANCE

WARNING: Before servicing pump, drain water from the system.

Inspection:

The diaphragms and inlet valves are held in place by the groove in the pump body and cover. Following inspection, ensure that they are seated properly in the grooves before tightening the covers in place. Regular inspection of the pump is recommended. Access to the pump chamber is quick and easy, requiring no tools. Rubber components should be replaced if worn or every three years regardless of condition.

During periodic shipboard inspections, the bilge pump should be visually inspected to confirm parts are in good condition, especially rubber parts and mounting arrangements. The pump should be operated to show that it pumps water efficiently.

Annual Checks

- Whale advises that the boat's plumbing system is checked annually for leaks and obstructions.

Optimal Performance

- Ensure this product is clear of debris.

Replacement components and Service Kits (AK3051) are available from your local chandlery. It is recommended a service kit is kept on-board.

Changing the Inlet Valves

1. Unscrew the two hand wheels and remove the cover to expose the diaphragm and valves.
2. Remove the inlet valve.
3. Replace with new valve and make sure it is sealed properly before replacing the cover.
4. Repeat for the other side.

Changing the Outlet Valves

1. Remove both covers.
2. Release 4 screws on outlet and inlet ports, remove ports and gaskets.
3. The outlet valves are moulded as 1 unit. Loosen the 2 screws in the centre of the valves and remove the valves.

4. Keep valve retainers (one located in inlet valve chamber and the other in between the outlet valves).
5. Note that the 2 holes on the valves are not evenly spread. Match these with the large holes on the valve retainer.
6. Pass the 2 screws through the 2 large holes in the valve retainer and valves, then place resulting assembly in outlet chamber - located on side of pump.
7. Position valves in the centre of the chamber and pass screws through the pump body.
8. Position second valve retainer in the inlet chamber so the screws are aligned with the smaller holes and then tighten the screws.
9. Reassemble ports and covers.

Changing the Diaphragm

1. Remove cover and remove clamping screw and plates to release the diaphragms
2. Place new diaphragm in position between the two clamping plates, attach clamping screw and tighten.
3. Repeat for the other side.

To convert a deck mounting model (BP3000) to a bulkhead model (BP3010)

1. Remove covers and diaphragms.
2. Remove the fulcrum bolt by unscrewing the nyloc nut.
3. Remove the lever assembly and re-fit through the alternative aperture in the pump body.
4. Reposition fulcrum bolt, nyloc nut and tighten.
5. Reassemble diaphragms and covers.

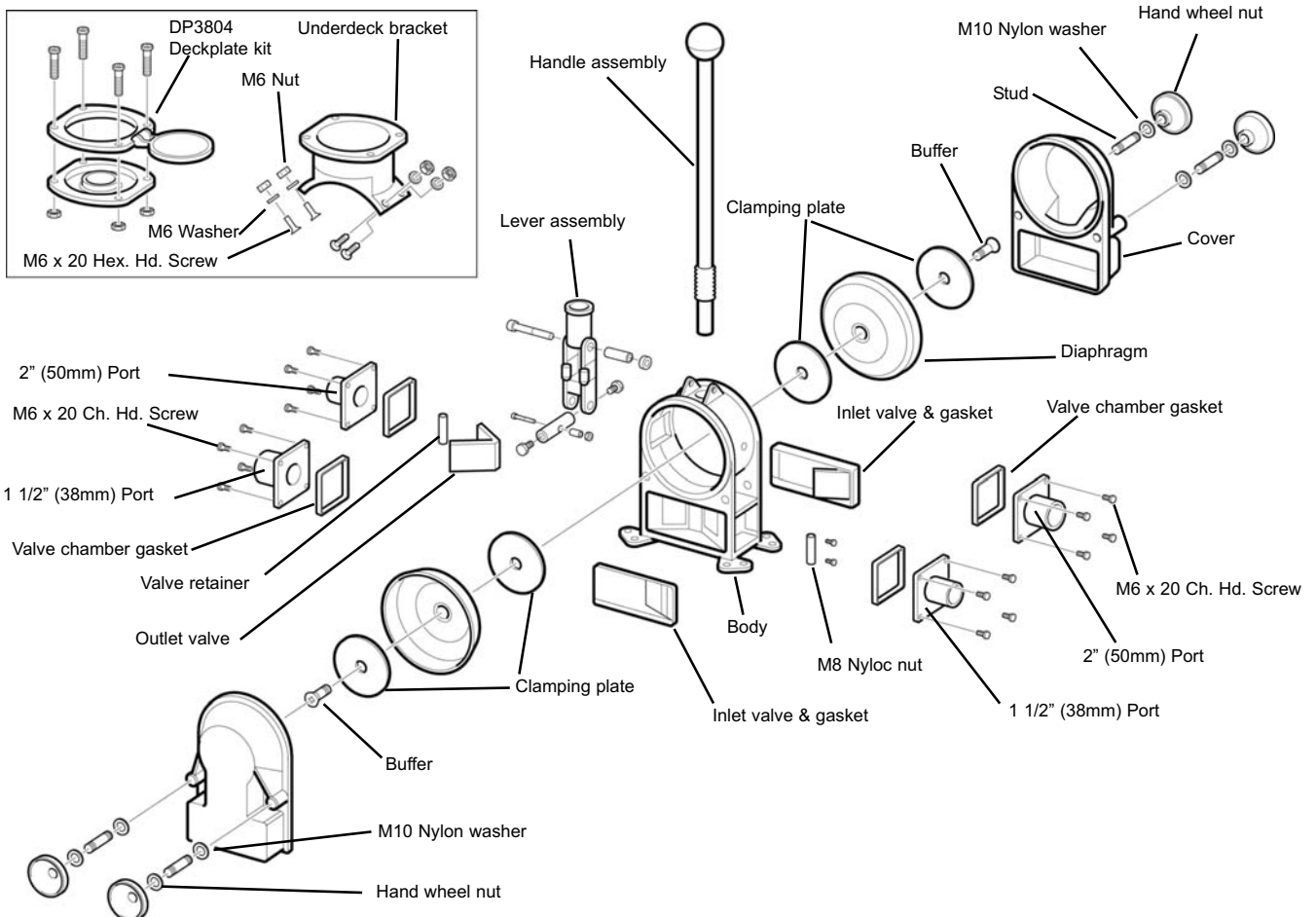


Fig. 5 Exploded diagram

10. TROUBLE SHOOTING

Fails to prime	Inlet hose fault	Check inlet hose connection is airtight, free from blockages and does not collapse during suction stroke
	Diaphragm failure	If damaged replace all rubber parts (Part No. AK3051)
	Debris in the body of the pump	May not prevent its operation, but should be removed to prevent damage
	Inlet and/or outlet valve failure	Inspect and remove any debris. If damaged replace (Part No. AK3051)

11. WINTERISING

Note: Annually at the end of the season, fully drain all water in the pipework and pump chamber. Whale® cannot guarantee warranty if the system is not fully drained for winterising.

12. SERVICE SUPPORT DETAILS

Service kits available: AK3051 (Full Spare Kit) and AS3095 (Spare Handle etc)
For installation or service advice please contact Whale® Customer Support:

Tel: +44 (0)28 9127 0531
Email: info@whalepumps.com
www.whalepumps.com

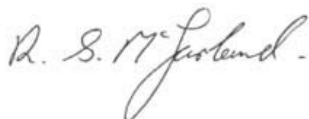
USA Tel: 1 802 367 1091
USA Fax: 1 802 367 1095
Email USA: usasales@whalepumps.com
www.whalepumps.com

13. DECLARATION OF CONFORMITY, STANDARDS AND APPROVALS

This product complies with all relevant European directives and standards. Please contact Whale® if further details are required

Manufacturer's Declaration

We hereby declare, under our sole responsibility, that the enclosed equipment complies the international standard EN ISO 15083. Also approved by Lloyds (MSCA) and USCG for use in lifeboats and rescue boats or as an emergency fire pump in accordance with BS ISO 18813 Sections 4.3.2.2 and 4.3.2.3.



Engineering Director

14. PATENTS AND TRADEMARKS

WHALE® and GUSHER® are registered trademarks of Munster Simms Engineering Limited, Bangor, Northern Ireland trading as Whale and Whale Seaward Inc.

15. WARRANTY

This Whale® product is covered by a 5 year warranty. Please see the enclosed document for details of our Statement of Limited Warranty.

©Copyright Whale® 2014 - All rights reserved.

Whale's policy is one of continuous improvement and we reserve the right to change specifications without prior notice. Illustrations are for guidance purposes only. Please note that by contacting Whale® Support you will be indicating your consent to receiving product updates, recall information, help guides and appropriate marketing messages from us via post, email or telephone unless you indicated an objection to receiving such messages.



Manual Bilge Pumps

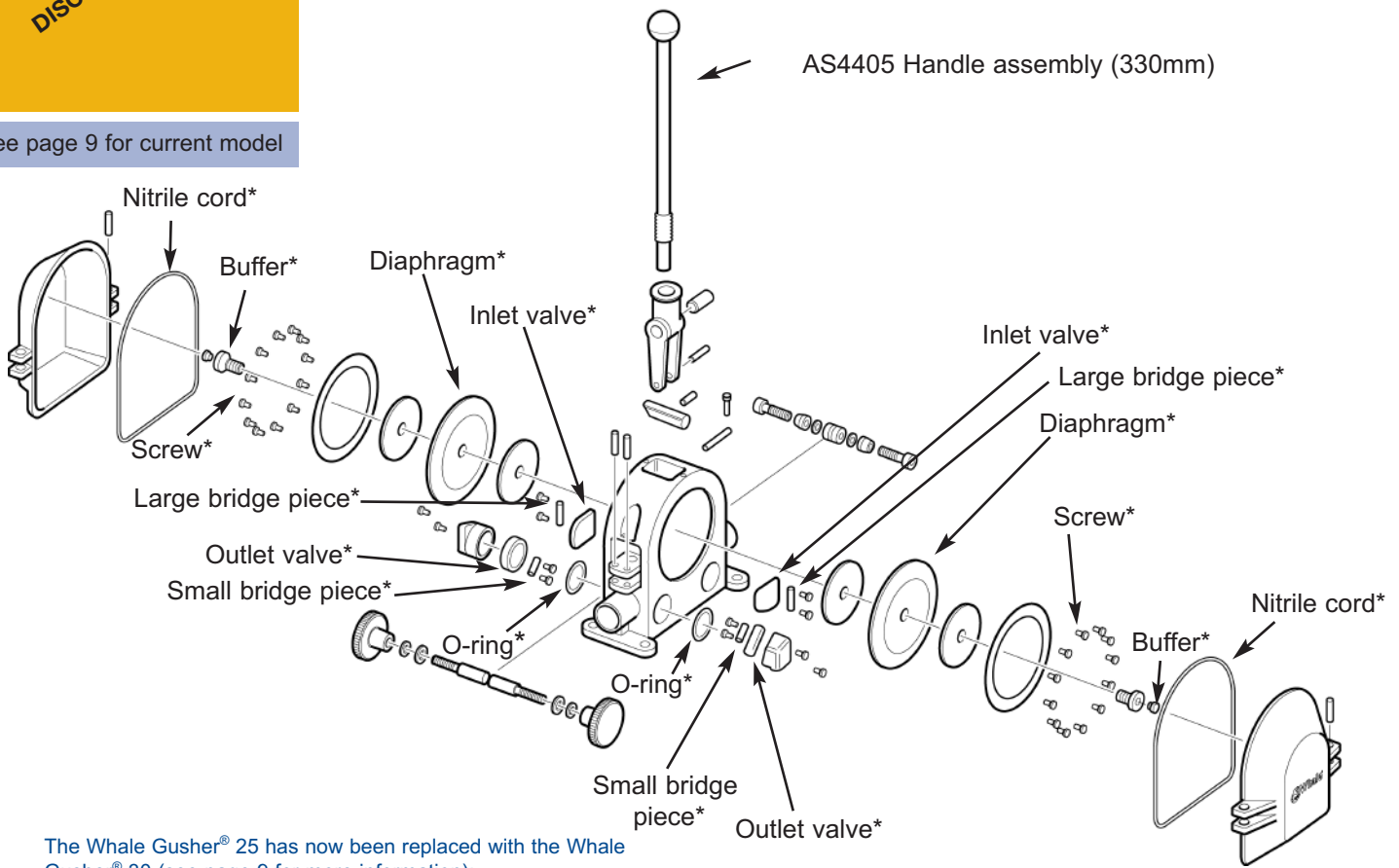
Gusher® 25 Pump

Whale Gusher 25 Pump (discontinued in 1989)

Note* Contained in Service Kit AK3528

PRODUCT
DISCONTINUED

See page 9 for current model

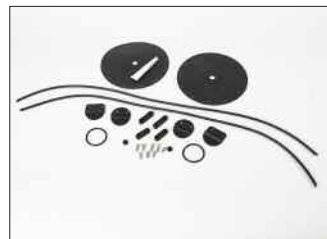


The Whale Gusher® 25 has now been replaced with the Whale Gusher® 30 (see page 9 for more information):
 On Deck: BP3000, On Bulkhead: BP3010, Thru Deck: BP3020

Service Kits

AK3528 Service Kit with Complete Set of Serviceable Parts for Whale Gusher® 25 (Nitrile®)

Qty	Containing
1	Tube of adhesive
2	Buffer
2	Outlet valve
2	O-ring
2	Nitrile cord
2	Inlet valve
4	Screw 2BA
2	Small bridge piece
2	Diaphragm (Nitrile)
2	Large bridge piece



AK3528



AS4405

AS4405 Handle Assembly s/s with Lanyard (330mm)