

## DRYROLL MEASURING GUIDE

TOPLICHT Art-Nr. 6310-000

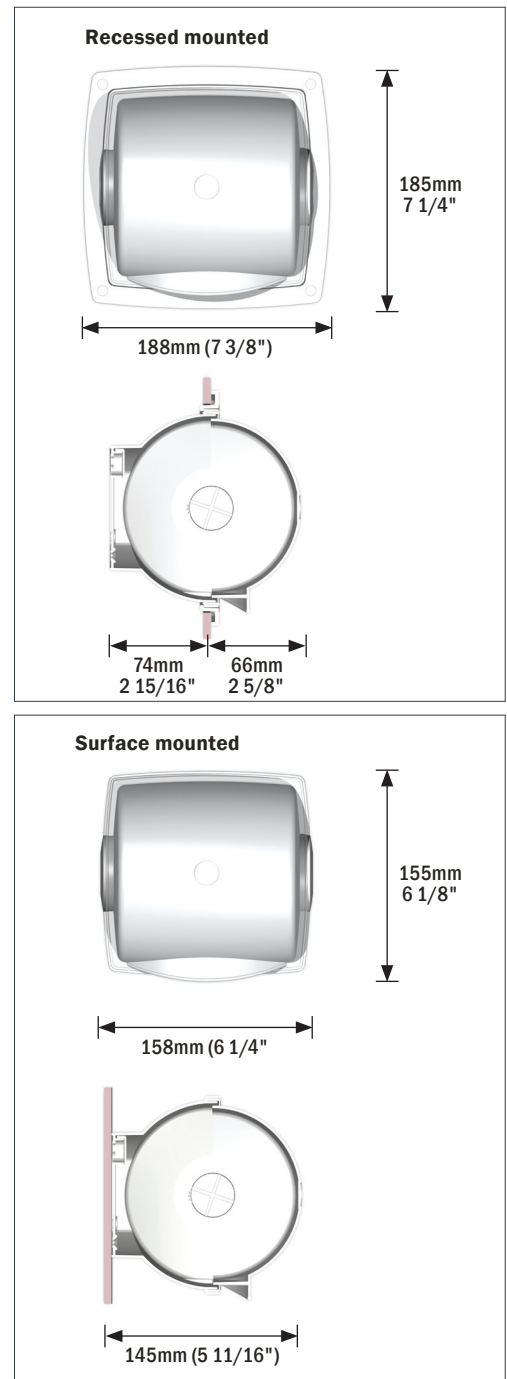
**You will need**  
Tape measure.



### Measuring guide

- 1 Refer to the measurements to check the positioning and clearance of the Dryroll.
- 2 For a recessed fitting, ensure that you have a minimum of 75mm (2 15/16") clearance inside the wall.
- 3 Ensure that the thickness of the boat structure at the proposed mounting position is deep enough to prevent the fixing screws from breaking through.

Visit [www.oceanair.co.uk/dryroll](http://www.oceanair.co.uk/dryroll) for step-by-step installation instructions.



For further information or measuring assistance, please contact your local Oceanair Distributor:  
[www.oceanair.co.uk/distributors](http://www.oceanair.co.uk/distributors).

Oceanair Marine (UK): +44 (0)1243 606 909    techsupport@oceanair.co.uk  
Oceanair Marine (US): +1 802 362 5258    info@oceanairmarine.com