

V Pump Mk 6

5 Year Warranty

Narrow mounting base allows installation for use between two sinks

Manual Self Priming Galley Pumps Simple Hand Operated Solution For Pumping Water In The Galley

- Ideal where space is limited
- Angled spout and adjustable height provide various options for installation
- Extended spout makes for easy filling of containers
- Capacity 8 ltrs (2.2 US gals) per minute
- Delivers a smooth flow on each stroke
- Useful as a back-up pump or for a simple freshwater supply pump
- Suitable for fresh water and saltwater
- Ideal where space is limited



Product code: see table

COMPLETE YOUR SYSTEM

Freshwater system accessories such as water filters, and pipework connections – page 76-77

YOU MAY ALSO LIKE

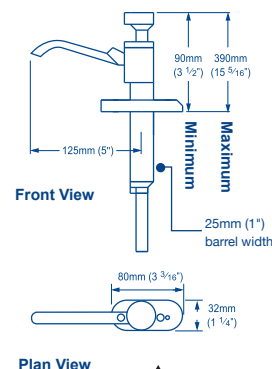
Whale water filters – page 76
Watermaster Automatic Pressure Pumps – page 54

Product Information

Model Specifications

Model	V Pump Mk 6
Product Code	GP0650
Hose Connections	Suitable for Quick Connect 15 mm Plumbing and 13 mm (1/2") Flexible Hose
Weight	0.26 kg (0.6 lbs)
Materials	Pump Body: Acetal, Pump Barrel: Anodized Aluminium Alloy Seals: Neoprene, Nitrile®, Fasteners: Stainless Steel
Service Kit	AK0618 - Service Kit for V Pump, Mk 5, Mk 6 Models Contains: Diaphragm, Seals, Fasteners AS0627 - Clamping Block Assembly
Maximum Suction Lift	3 m (10 ft)
Maximum Discharge Head	4 m (13 ft)
Maximum Output per Minute	8 ltrs (2.2 US gals)

Note: These specifications are retail items only.
For details of our bulk pack range for boat builders and wholesalers - contact Whale Support.



WARNING
Note: Not for use in pressurized systems

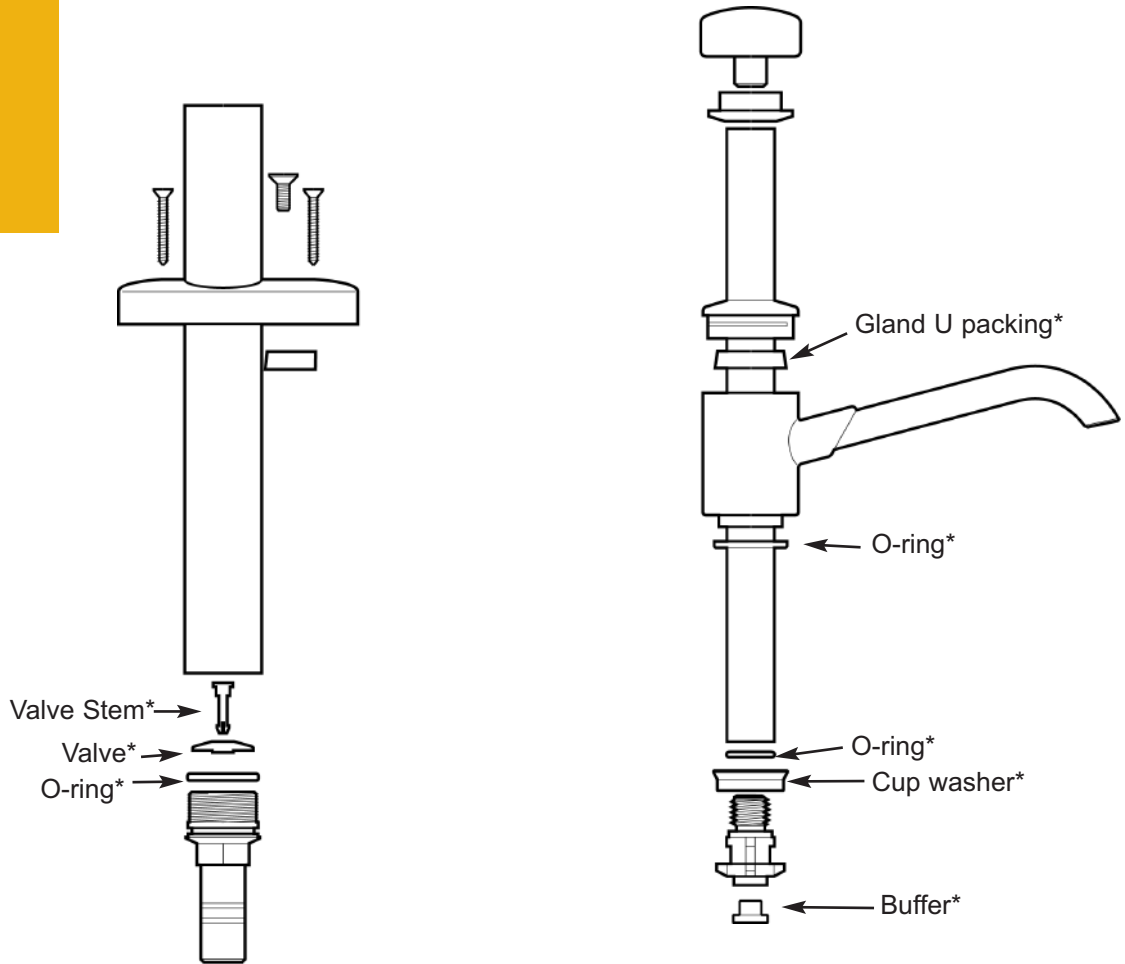


Manual Galley Pump - Hand Operated

V-Pump Mk 6

V-Pump Mk 6 GP0650 - Vertical Self-Priming Hand Pump

Note* Contained in Service Kit AK0618



Service Kits

AK0618 Serviceable Parts Kit for V-Pump Mk 5 & Mk 6

Qty	Containing
1	Handle buffer (Mk 5)
1	Cup packing
1	Buffer
1	Valve
1	Valve stem
1	O-ring (plunger cup seat)
1	Grand U packing
1	O-ring (base)
1	O-ring (head)



AK0618



Whale[®] V- PUMP MK.6

GP0650

Also Service Kits/Assemblies:
AK0618 & AS0627

Read carefully before installation and use.

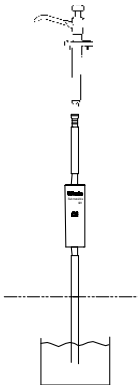
To the fitter: Check that the product is suitable for the intended application, follow installation instructions and ensure operating instructions are passed onto the end user.

To the User: Read the following instructions carefully.

Application

This product is designed for use as a domestic freshwater & saltwater hand pump in caravans and boats. Use for any other purpose or with any other liquid, is not recommended and is entirely at the user's risk.

This pump may also be used in conjunction with an in-line pump, or as a back up to a submersible pump.



Installation

Choose an installation where the pump can be operated comfortably. Note: The maximum reach of the outlet spout is 115mm (4½") Once you have found your location, drill a 25mm (1") hole, fit pump, position base and secure using the two wood screws.

Hose connection

If using Whale Water System 15 pipework WX1504 equal straight will fit directly onto the pump, if using System12 use WX1504 & WS1215 stem reducer 15mm-12mm alternatively you can use 13mm (½") flexible tubing.

The height of the pump maybe adjusted by loosening screw (A).

Operation

To operate pump the handle up and down, water will be discharged on both strokes.

Maintenance

Regular inspection of valves and seals is recommended with cleaning and replacement of components as necessary.

To dismantle pump:
Unscrew head and spout from Barrel, pull plunger and head from barrel. Unscrew plunger

cup seat from plunger rod and pull head and spout from plunger rod. To remove U-Packing seal from head, carefully ease cap (B) off using a flat screw driver, replace U-Packing seal making sure to fit the new seal the same way round as old seal (U facing down).

Note: Replacing O-Ring (C) may prove difficult to remove and we recommend that it is not replaced unless a leak is observed under the head. Replace cup washer, O-Ring (D) and buffer on plunger cup seat.

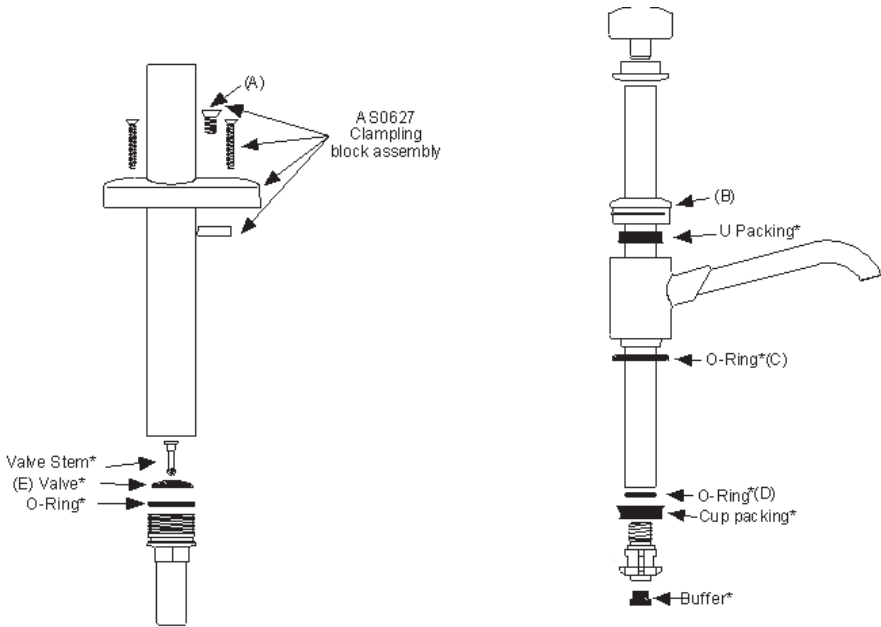
Reassemble making sure that cap is securely pushed back into position

To replace bottom valve (E) unscrew base from barrel of pump. A service kit AK0618 is available from dealers.

Contact Whale for MK5 V-pump drawing or instruction. NOTE: For winter storage, ensure that the pump is drained completely to avoid frost damage.

Whale V Pump Mk6

Note: * contained in Service Kit AK0618



Helpful Hints

(a) If the pump is slow to prime, the cup washer maybe worn or the valves are not seating properly.

(b) If the pump won't pump:

- Check that the suction line is in the water.
- Check that the hose connections are secure and there are no air leaks.
- Check washers in the pump, they may need to be replaced.

Warranty

This Whale product is covered by 1 years warranty. Please see the enclosed document for details of our statement of limited warranty.

Munster Simms Engineering Ltd.

Old Belfast Road, Bangor, Co Down, N Ireland, BT19 1LT, Tel: +44 (0)28 9127 0531 Fax: +44 (0)28 9146 6421
Web: www.whalepumps.com Email: info@whalepumps.com