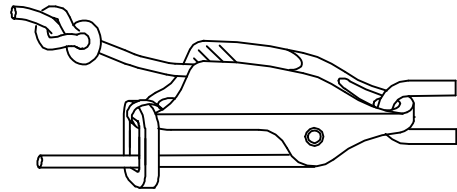
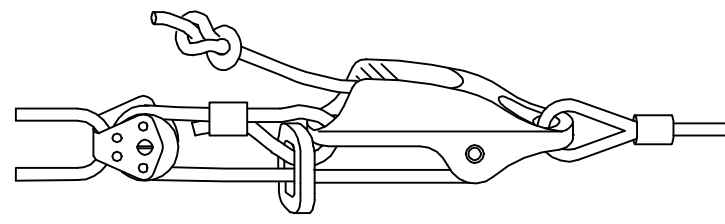


Ø4 – 8mm
3/16" – 5/16"

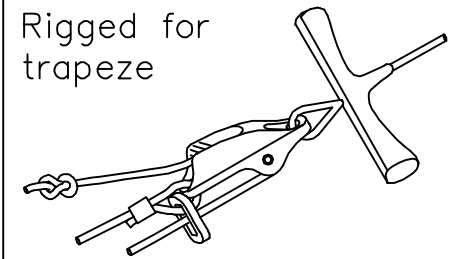


Rigged 1:1

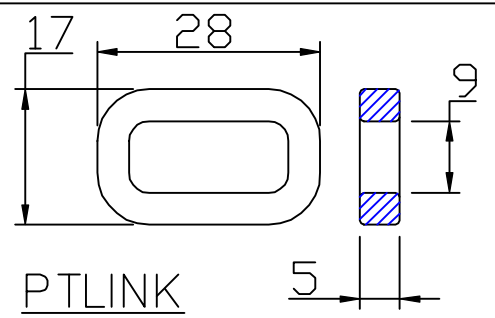
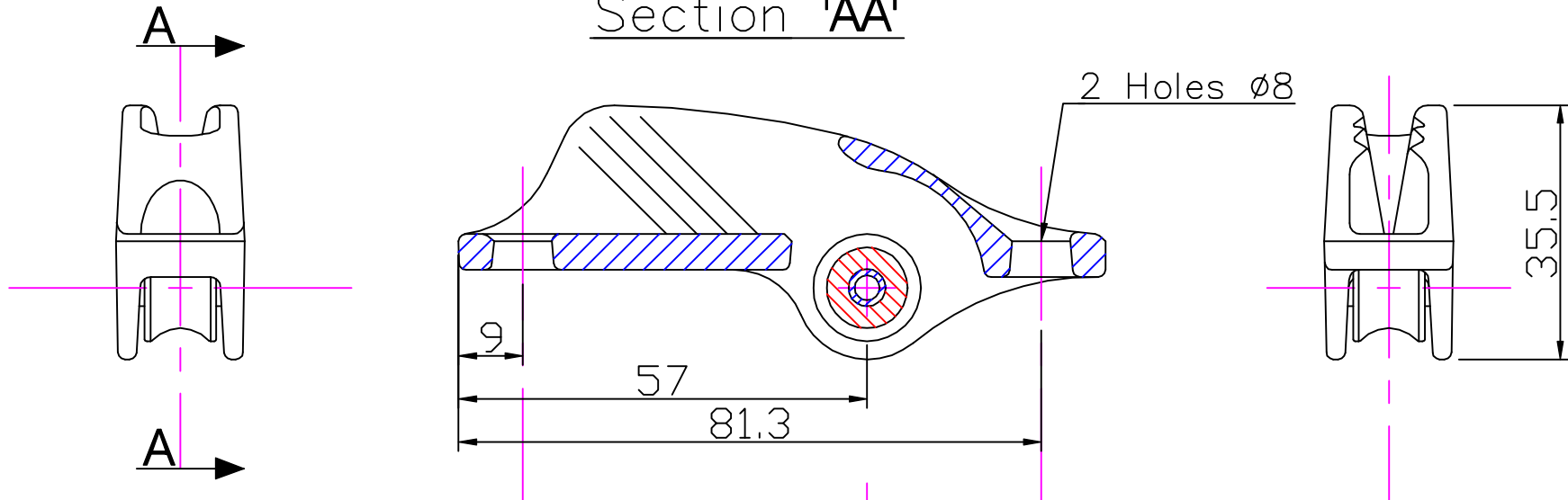


Rigged 2:1

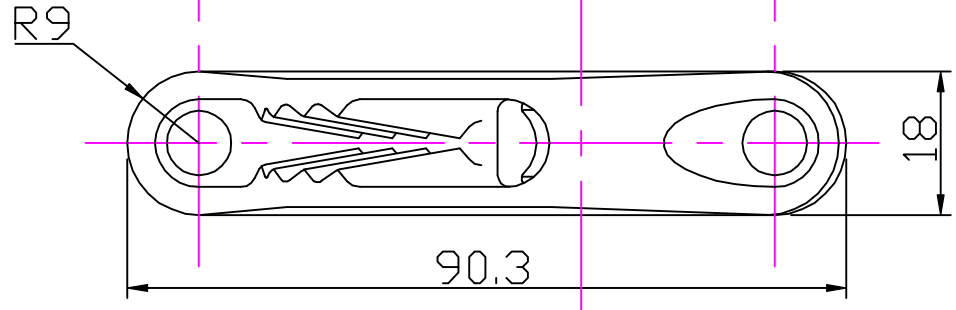
Rigged for
trapeze



Section 'AA'



PTLINK




Issue: 1.	Jul 2000
ID253.dwg	
Material:	
Cleat: – Diecast Aluminium	
Roller: – Reinforced Nylon	
Installation Drawing for: –	
CL253	
Trapeze & Vang Cleat	

Clamcleat®
Rope cleats

Clamcleats Limited
Watchmead
Welwyn Garden City
Hertfordshire AL7 1AP
England

Telephone +44 (0)1707 330101
Fax +44 (0)1707 321269
www.clamcleat-rope-cleats.com

 Scale 1:1
All dimensions in mm.

Schiffsausrüster
TOPLICHT
Tel.: +49 (0)40-8890100
www.toplicht.de